

ROOTS® IGC - Integral Gear Compressor



PSI Prolew Inc.
975 Selkirk, Pointe-Claire
Québec, Canada H9R 4S4
Tél: (514) 697-7867
Fax: (514) 697-0057
www.psiprolew.com



PSI Prolew Inc.
3750A Laird Road, Unit 1,
Mississauga, ON L5L 0A6
Tel: (905) 820-6330
Fax: (905) 820-6338
www.psiprolew.com

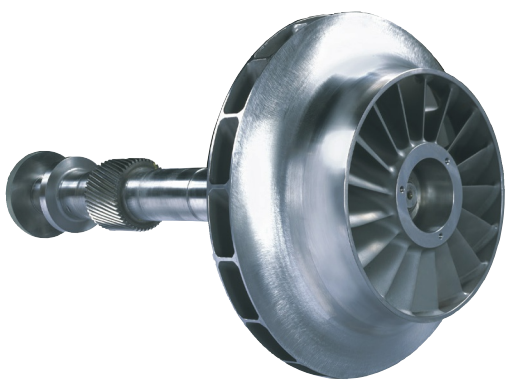
Design and construction features

- Choice of several impeller materials
- Polytropic heads to 50,000 ft.
- Flows to 60000 cfm (101949 m³/hr)
- API capability
- ROOTS Control packages

ROOTS® Integral Gear Compressors are suitable for use with a variety of constant speed or variable speed drivers. Local energy costs and your requirements will determine the most economical method of drive for your application.

The impeller is the most critical element in a centri-fugal compressor. The most common configurations are those with backward leaning blades curved away from the direction of rotation, or impellers with blades which discharge radially. Material selection is driven by process gas and performance requirements.

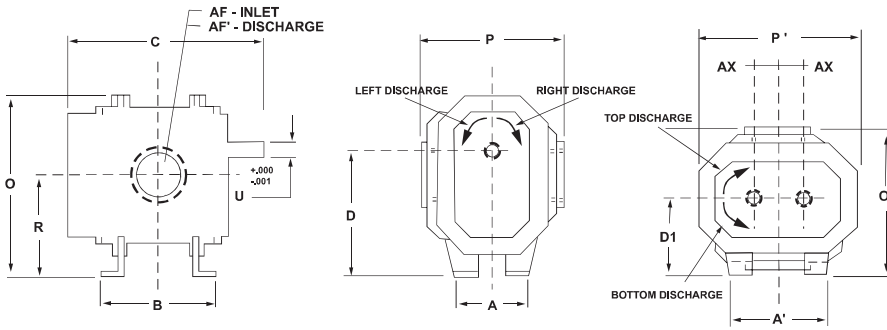
Inlet and diffuser vanes, together or alone, are available as options, with either manual or automatic controls. Adjustable inlet guide vanes control the capacity with a minimum loss of efficiency, and also increase the stable operating range. Adjustable diffuser vanes are available for certain apps. to maximize efficiency and turndown. ROOTS standard horizontal split case offers complete access to the bearings and seals for ease of maintenance without disturbing the process piping.



PSI Prolew Inc.
975 Selkirk, Pointe-Claire
Québec, Canada H9R 4S4
Tél: (514) 697-7867
Fax: (514) 697-0057
www.psiprolew.com



PSI Prolew Inc.
3750A Laird Road, Unit 1,
Mississauga, ON L5L 0A6
Tel: (905) 820-6330
Fax: (905) 820-6338
www.psiprolew.com



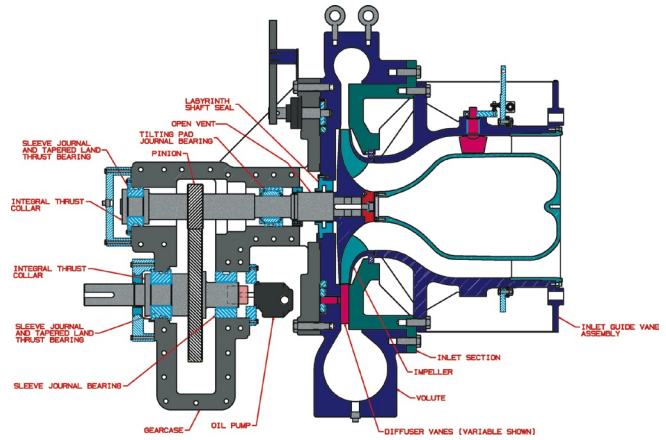
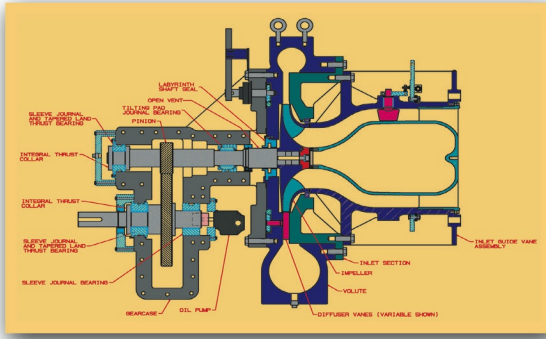
Outline drawing of ROOTS IGC - Integral Gear Compressor.

For further information contact:

ROOTS
900 W. Mount Street,
Connersville Indiana, 47331
USA

Tel: +1 765 827 9200

Web: www.RootsBlower.com



PSI Prolew Inc.

975 Selkirk, Pointe-Claire
Québec, Canada H9R 4S4
Tél: (514) 697-7867
Fax: (514) 697-0057
www.psiprolew.com



PSI Prolew Inc.

3750A Laird Road, Unit 1,
Mississauga, ON L5L 0A6
Tel: (905) 820-6330
Fax: (905) 820-6338
www.psiprolew.com