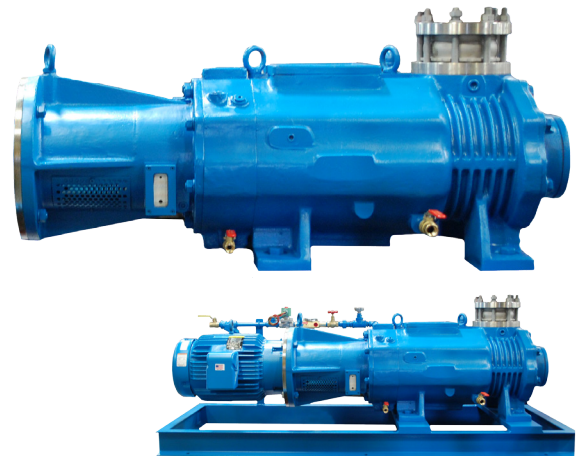


Models

SDV-320 SDV-430

Features

- Patented variable pitch rotor design
- Lower gas discharge temperatures – no cooling purges needed
- No oil or water in contact with process gases
- No metal-to-metal contact between operating parts
- Space saving C-face motor design eliminates need for motor coupling and guard
- Short gas path through the pump for quick discharge
- Quiet operation ≤ 80 dB(A)
- Niflon coated internals reduce damage from corrosive or condensable gases



Materials of Construction

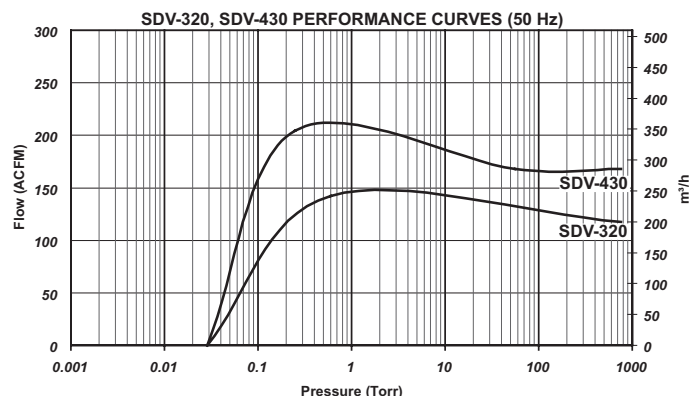
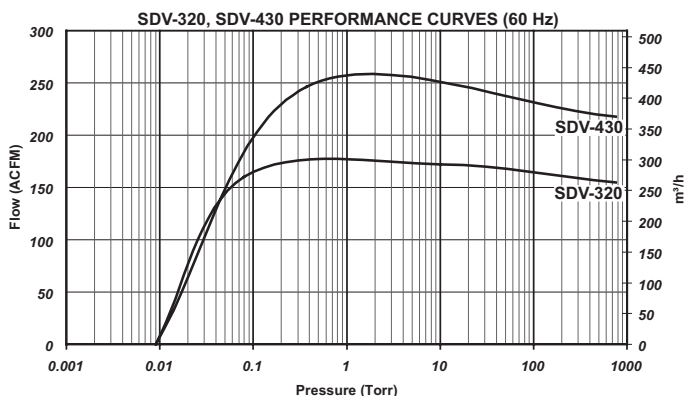
- CASING, END PLATES, COVERS:** Ductile iron, uncoated
ROTORS: Ductile iron, Niflon coating
TIMING GEARS: Alloy steel, precision ground, helical type
SHAFT SEALS:
 Drive End: Mechanical seal & lip seal
 Non-Drive End: Triple lip seals
Drive Shaft: Mechanical seal
O-RINGS: Kalrez® compound 4079

Kalrez® is a registered trademarks of E.I. duPont de Nemours and Company.

Specifications

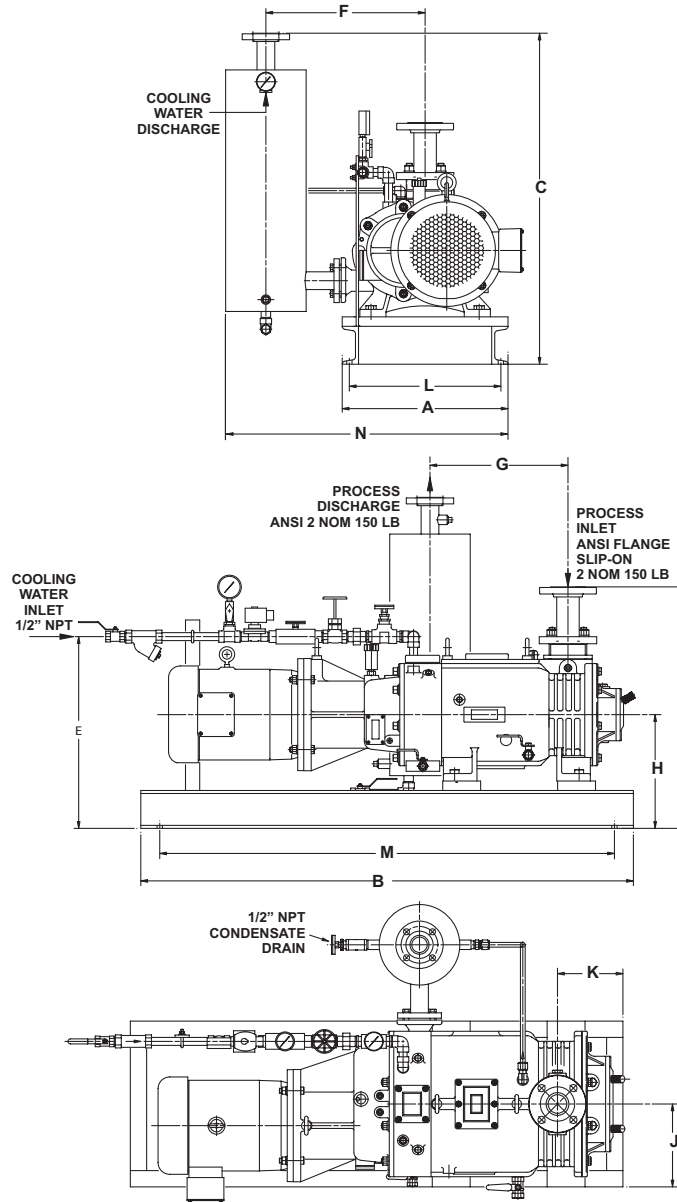
MODEL	CAPACITY (60 HZ) (50 HZ) CFM / m ³ /h	ULTIMATE PRESSURE (60 HZ) (50 HZ) Torr / mbar	ROTATION SPEED 60 Hz / 50 Hz	MOTOR HP	POWER CONSUMPTION 60 Hz / 50 Hz kW	SUCTION FLANGE (ANSI, 150# RF) in. / mm	DISCHARGE FLANGE (ANSI, 150# RF) in. / mm	COOLING WATER GPM / L/min	NOISE LEVEL dB(A)
SDV-320	188 / 320 157 / 267	0.01 / 0.013 0.03 / 0.04	3500 / 2900	10	6.4 / 5.4	2 / 50	1.5 / 40	2.1 / 8	80
SDV-430	253 / 430 211 / 358	0.01 / 0.013 0.03 / 0.04	3500 / 2900	15	9.4 / 7.9	2.5 / 65	2 / 50	2.9 / 11	80

Typical Pumping Speed Curves



Dimensions

Values shown are approximate and should not be used for construction.
 Certified drawings are available through your local Tuthill Vacuum & Blower Systems Sales Professional.



in. mm.	A	B	C	D	E	F	G	H	J	K	L	M	N	BARE SHAFT LBS. kg	COMPLETE UNIT LBS kg
SDV-320	17.50 445	52 1321	34.94 887	25.49 647	20.24 514	16.81 427	14.57 370	12.01 305	8.75 222	4.96 126	16 406	48 1219	30 762	617 280	1130 513
SDV-430	18.19 462	57 1448	38.9 988	26.81 681	21.31 541	17.99 457	17.32 440	12.56 319	9.1 231	5.43 138	16.81 427	53 1346	31.5 806	771 350	1450 658

Your Local Tuthill Vacuum Blower Systems Sales Professional:

PSI Prolew Inc.

975 Selkirk, Pointe-Claire
 Québec, Canada H9R 4S4
 Tél: (514) 697-7867
 Fax: (514) 697-0057
 www.psiprolew.com



PSI Prolew Inc.

3770A Laird Road, Unit 1,
 Mississauga, ON L5L 0A7
 Tel: (905) 820-6330
 Fax: (905) 820-6338
 www.psiprolew.com



Tuthill Vacuum & Blower Systems
 4840 West Kearney Street
 Springfield, Missouri USA 65803-8702
 o 417.865.8715 800.825.6937 f 417.865.2950
 tuthillvacuumblower.com

