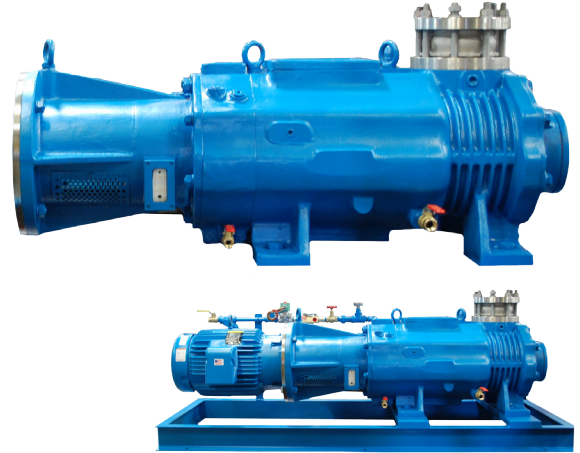


## Models

SDV-800

## Features

- Patented variable pitch rotor design
- No oil or water in contact with process gases
- No metal-to-metal contact between operating parts
- Space saving C-face motor design eliminates need for motor coupling and guard
- Short gas path through the pump for quick discharge
- Quiet operation  $\leq 85$  dB(A)
- Niflon coated internals reduce damage from corrosive or condensable gases



## Materials of Construction

**CASING,  
END PLATES,**

**COVERS:**

Ductile iron, uncoated

**ROTORS:**

Ductile iron, Niflon coating

**TIMING GEARS:**

Alloy steel, precision ground, helical type

**SHAFT SEALS:**

**Drive End:** Mechanical seal & lip seal

**Non-Drive End:** Triple lip seals

**Drive Shaft:** Mechanical seal

**O-RINGS:**

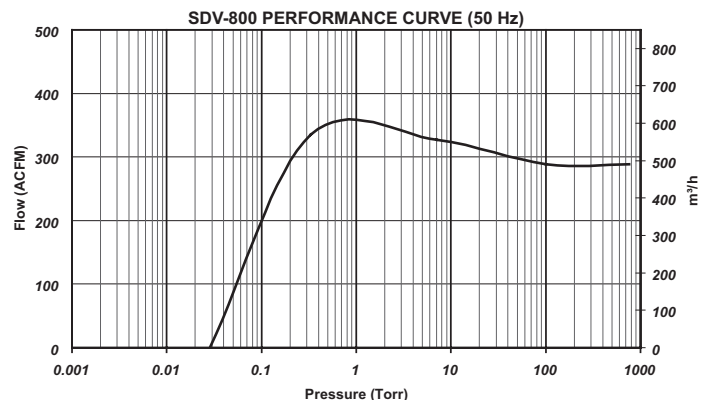
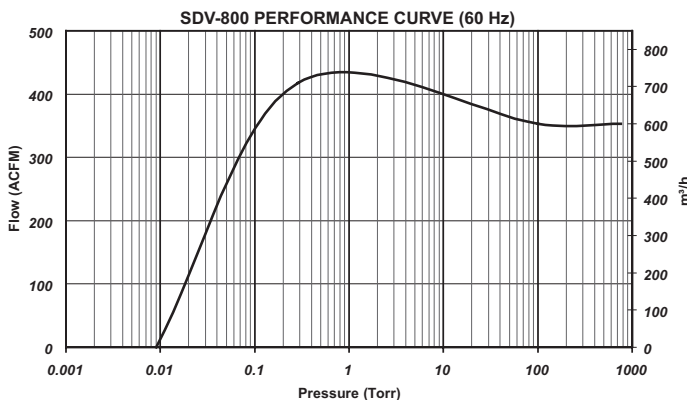
Kalrez® compound 4079

Kalrez® is a registered trademarks of E.I. duPont de Nemours and Company.

## Specifications

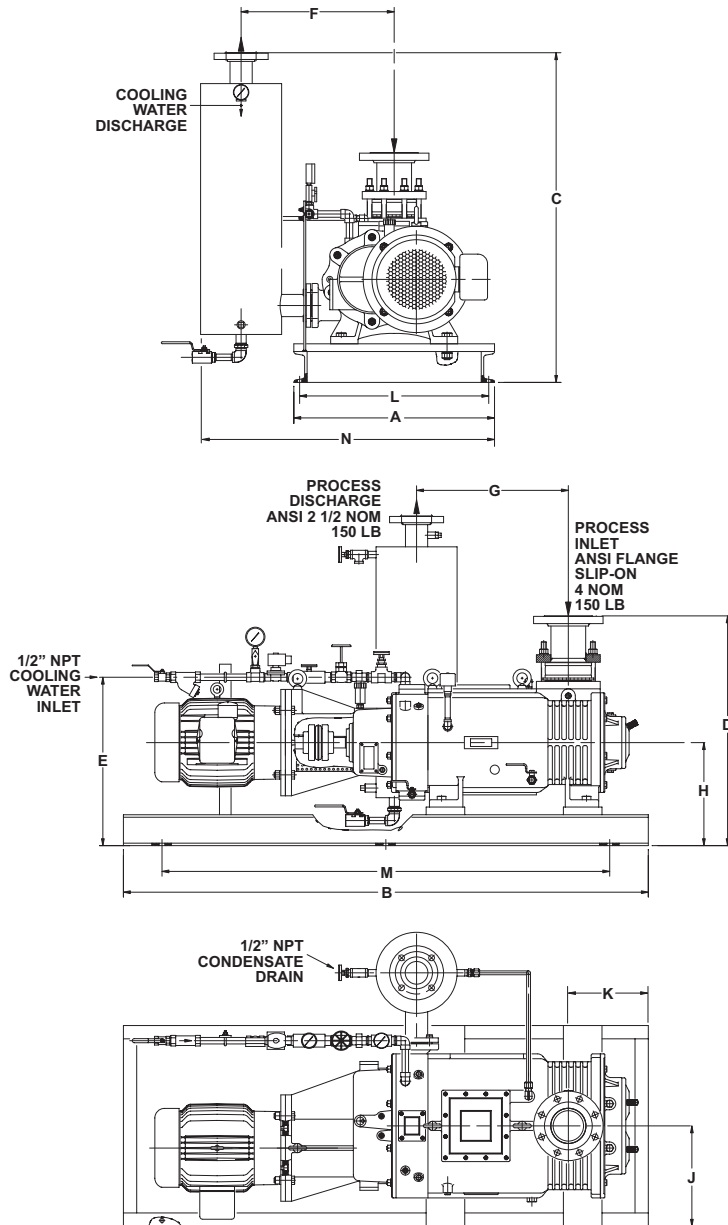
MODEL	CAPACITY (60 HZ) (50 HZ) CFM / m <sup>3</sup> /h	ULTIMATE PRESSURE (60 Hz) (50 Hz) Torr / mbar	ROTATION SPEED 60 Hz / 50 Hz	MOTOR HP	POWER CONSUMPTION 60 Hz / 50 Hz kW	SUCTION FLANGE (ANSI, 150# FF) in. / mm	DISCHARGE FLANGE (ANSI, 150# FF) in. / mm	COOLING WATER GPM / L/min	NOISE LEVEL dB(A)
SDV-800	441 / 750 368 / 625	0.01 / 0.013 0.03 / 0.04	3500 / 2900	20	13 / 11	4 / 100	2.5 / 65	5.3 / 20	85

## Typical Pumping Speed Curves



## Dimensions

Values shown are approximate and should not be used for construction. Certified drawings are available through your local Tuthill Vacuum & Blower Systems Sales Professional.



in. mm.	A	B	C	D	E	F	G	H	J	K	L	M	N	BARE SHAFT LBS kg	COMPLETE UNIT LBS kg
SDV-800	26 660	68 1727	42.71 1085	29.76 756	21.82 554	19.83 504	19.66 499	13.35 339	13 330	10.36 263	24.5 622	58 1473	38 965	1212 550	1970 894

Your Local Tuthill Vacuum Blower Systems Sales Professional:

### PSI Prolew Inc.

975 Selkirk, Pointe-Claire  
Québec, Canada H9R 4S4  
Tél: (514) 697-7867  
Fax: (514) 697-0057  
www.psiprolew.com



### PSI Prolew Inc.

3770A Laird Road, Unit 1,  
Mississauga, ON L5L 0A7  
Tel: (905) 820-6330  
Fax: (905) 820-6338  
www.psiprolew.com



### Tuthill Vacuum & Blower Systems

4840 West Kearney Street  
Springfield, Missouri USA 65803-8702  
o 417.865.8715 800.825.6937 f 417.865.2950  
tuthillvacuumblower.com

