



# U-mag Pump Series Sales Guide

.....  
Compact, Heavy Duty, Sealless, Mag-drive pump



**PSI Prolew Inc.**

975 SELKIRK, POINTE-CLAIRE

QC, CANADA, H9R 4S4

TEL: (514) 697-7867

FAX: (514) 697-0057

[www.psiprolew.com](http://www.psiprolew.com)



Proudly made in the USA

#	Document Description	Page #
1	Pump Specification & Features	3
2	Pump Identification Code	5
3	Item List	7
4	Pump Configuration	8
5	Pump Dimensions	9
6	Hydraulic Coverage-50Hz	10
7	Hydraulic Coverage-60Hz	11
8	Pump Price List	12
9	Part Price List	11
10	Recommended Spare Parts	1

## **U-mag Specifications**

### **Universal**

- ✓ Compact heavy duty, non-metallic magnetic drive pump.
- ✓ Universal flange design meets ANSI, ISO and JIS piping connections.
- ✓ Universal connections to a NEMA or IEC Frame Motor, Close Coupled.
- ✓ Universal chemical resistance using a thick layer of mechanically tough, chemically inert ETFE or PFA fluoropolymer.

### **Double Welded Impeller**

- ✓ The inner magnets are protected by a patented hermetically sealed cover.
- ✓ For an extreme corrosion and permeation resistant barrier the magnet assembly is again hermetically sealed with a corrosion resistant fluoropolymer ETFE or PFA creating a double weld design.

### **Solids Handling**

- ✓ Innovative particulate control ring protects bearings against solids damage.

### **Open Suction**

- ✓ A cantilever shaft located in the containment shell eliminates the need for a shaft support in the pumps suction.
- ✓ No suction blockage, Lower NPSHr.

### **Water Hammer Resistant**

- ✓ Burst pressure at 3000 psi provides the U-mag pump a 10 x safety factor and resistance to sudden system surges.

### **Modified Concentric Volute**

- ✓ All Innomag casings are designed to minimize radial loads and distribute pressure evenly across the entire flow range.
- ✓ Lowers stress on bearings and wear rings maximum pump life.

### **Sealless**

- ✓ Non-slip, synchronous mag-drive pump.
- ✓ Leak free operation for a clean environment.
- ✓ Process lubricated, no external flush system needed.

### **Trouble-free Maintenance**

- ✓ A back pull out design for quick in the field inspections or maintenance without disturbing the piping connections.
- ✓ Liquid end and drive end independently serviceable.
- ✓ Complete kits are available for impellers, containment shells and casings. No assembly.
- ✓ 100% replaceable wear parts.

### **Armored Design**

- ✓ Ductile iron, the suit of armor protecting the pump from pipe strain, vibration, exterior shocks and handling.

### **External Protection**

- ✓ All mating and exposed metal surfaces are coated in a premium Epoxy/Epoxy Polyamide Primer and topped with a aliphatic acrylic polyurethane.

### **Performance**

- ✓ Temperature range of -20°F (-29°C) to 250°F (121°C)
- ✓ Capacities up to 450 gpm (102 m<sup>3</sup>/hr)
- ✓ Heads up to 165 ft (50 m)
- ✓ Pressures up to 300 psi (2068 kPa)
- ✓ Power ranges are 1 to 10 hp ( 0.75 to 7.5 kW)

## **U-mag Part Features**

### **Casing**

- ✓ One piece cast ductile iron.
- ✓ Bonded ETFE or PFA lining, minimum of 1/8" (3mm) thickness.
- ✓ Self venting, Tangential discharge design.
- ✓ Casing houses front stationary silicon carbide (SiC) thrust ring.
- ✓ Flanges: ANSI, ISO and JIS flange connections.
- ✓ Two bolt flanged drain (ETFE lined casings, only) with pure PTFE gasket and 316SS blind flange, optional.

### **Impeller Assembly**

- ✓ Molded one-piece enclosed impeller made of carbon fiber-reinforced ETFE or Pure PFA.
- ✓ High strength neodymium iron boron magnet assembly.
- ✓ Double weld magnet assembly hermetically sealed from environment.
- ✓ High efficiency, low NPSHr impeller geometry.
- ✓ Fully open impeller eye; no shaft socket or support struts.
- ✓ Replaceable front rotating SiC wear ring.
- ✓ Impeller houses radial bearings

### **Radial Bearing**

- ✓ Simple, reliable single bearing system made of carbon graphite or pure sintered silicon carbide (SiC).

### **Pump Shaft**

- ✓ Solid, sintered SiC.
- ✓ Cantilevered design leaves impeller eye open for optimum NPSHr.
- ✓ Shaft oversized to handle any combinations of radial loads.

### **Gasket**

- ✓ FEP/FKM (Fluorocarbon) o-ring standard. Provides universal chemical resistance.
- ✓ Other o-ring materials available on request.

### **Containment Shell**

- ✓ One-piece molding of carbon fiber-reinforced ETFE or PFA.
- ✓ Outer pressure housing molded from a Aramid/Vinyl ester composite.
- ✓ Provides optimum combination of pressure and shock resistance.
- ✓ Reinforced shaft socket to handle any combination of radial loads.
- ✓ Zero eddy current losses for no heat operation and maximum possible efficiency.

### **Containment Ring**

- ✓ One-piece ductile iron casting.
- ✓ Aligns and supports the containment shell.
- ✓ Jackscrew holes provided for easy disassembly.

### **Outer Magnet Assembly**

- ✓ Ductile iron shell with high strength neodymium iron boron magnets.
- ✓ One drive size per motor frame. Minimum possible inventory.
- ✓ Keyless hub for fast assembly.
- ✓ Jackscrew holes provided for easy removal from motor shaft.

### **Adapter**

- ✓ One-piece ductile iron casting.
- ✓ Mounts to a wide range of standard NEMA and IEC C-face motors.
- ✓ Zero alignment required.

**U-mag Identification Code**

Wet End **U 0 1 3 7 0 0 1 0 0** - **U B 0** Drive End

U-mag Models (Suction x Discharge x Nominal Impeller Diameter)			
Size	Min.	Max.	
<b>U0</b> - (1.5 x 1 x 5") (40 x 25 x 127mm)	3.25" 76	6.13" 156 mm	
<b>UL</b> - (1.5 x 1 x 5LF") (40 x 25 x 127mm)	3.25" 76	6.13" 156 mm	
<b>U1</b> - (2 x 1.5 x 6") (50 x 40 x 152mm)	3.25" 76	6.13" 156 mm	
<b>U3</b> - (3 x 2.5 x 6") (80 x 65 x 152mm)	4.50" 76	6.13" 156 mm	
<b>U4</b> - (2.5 x 2 x 6") (65 x 50 x 152mm)	3.50" 76	6.13" 156 mm	

Impeller Diameter		
<b>137</b>	mm, divide by 25.4 for inches	ex.137/25.4= 5.39 "

Bearing System		
	Bushing	Shaft, Pump
<b>S 0</b>	- Carbon Graphite	SiC
<b>1</b>	- SiC	SiC

Wear Ring/Thrust Collar			
	Impeller	Casing	Containment Shell
<b>S 0</b>	- CF-PTFE	SiC	CF-PTFE
<b>1</b>	- SiC	SiC	SiC
<b>2</b>	- SiC	SiC	CF-PTFE
<b>3</b>	CF-PTFE	SiC	SiC

Gasket (All Gaskets are 0.210" square cross section, equivalent to standard -363 O-Rings)	
<b>1</b>	- FEP/FKM (Fluorocarbon)
<b>S 2</b>	- FKM (Fluorocarbon)
<b>3</b>	- EPDM (Ethylene Propylene)

Flanges	
<b>S 0</b>	- ANSI/ISO/JIS (Universally Slotted)
<b>1</b>	- ANSI (Class 150)
<b>2</b>	- ISO (PN16)
<b>3</b>	- JIS (10kg/cm <sup>2</sup> ) - JIS B2210 - 1989

Construction				
	Impeller Body	Casing Casting/Lining	Casing Drain	Containment Shell Lining/Composite
<b>S 0</b>	- CF-ETFE	D.I./ETFE	No	CF-ETFE@/Aramid
<b>1</b>	- CF-ETFE	D.I./ETFE	Yes	CF-ETFE@/Aramid
<b>C\$ 2</b>	- PFA	D.I./PFA	No	PFA/Aramid

**Material Guide:** ETFE - Ethylenetetrafluoroethylene    PFA - Perfluoroalkoxy    SiC - Silicon Carbide (Ceramic)

Option 1	
<b>0</b>	- Standard Torque
<b>1</b>	- High Torque

Motor Frame	
<b>NEMA C-Face</b>	
<b>A</b>	- 56C
<b>B</b>	- 143/5 TC
<b>C</b>	- 182/4 TC
<b>\$t D</b>	- 213/5 TC
<b>\$t E</b>	- 254/6 TC

IEC B5	
<b>M</b>	- 80
<b>N</b>	- 90S/L
<b>P</b>	- 100L
<b>\$ Q</b>	- 112M
<b>\$t R</b>	- 132

Drive Ratings	
<b>A,B,C,M,N &amp; P</b> are rated at:	
<b>HP (kW)</b>	@ <b>rpm</b>
5.0 (3.7)	@ 3500
4.1 (3.1)	@ 2900
2.5 (1.9)	@ 1750
2.1 (1.6)	@ 1450
<b>D0,E0,Q0,R0</b> are rated at:	
<b>HP (kW)</b>	@ <b>rpm</b>
10.0 (7.5)	@ 3500
8.3 (6.2)	@ 2900
5.0 (3.7)	@ 1750
4.1 (3.1)	@ 1450
Optional High Torque Drive:	
<b>D1,E1,Q1,R1</b> are rated at:	
<b>HP (kW)</b>	@ <b>rpm</b>
14.0 (10.4)	@ 3500
11.7 (8.7)	@ 2900
7.0 (5.2)	@ 1750
5.8 (4.4)	@ 1450

Product Group	
<b>U</b>	- U-mag

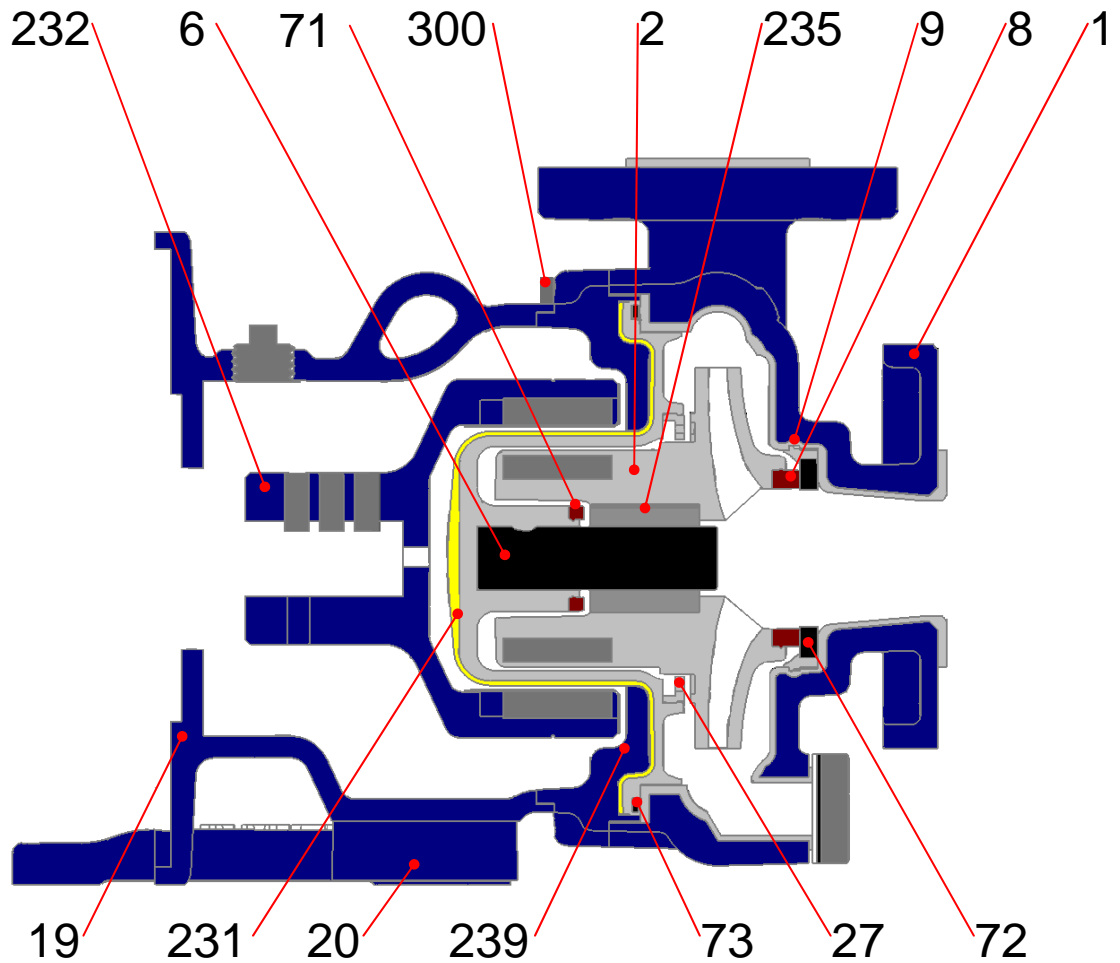
**Notes:**  
**C** Consult Factory for Availability  
**S** Standard Material/Options  
**t** High Torque Option  
**\$** Price Adder  
 (Refer to Pump Price Sheet)

Motor Frame Guide				
60 Hz Motors				
HP	RPM	NEMA	Code	
1	3600	143TC	B	
	1800	143TC		
1.5	3600	143TC		
	1800	145TC		
2	3600	145TC		
	1800	145TC		
3	3600	182TC		C
	1800	182TC		E
5	3600	184TC	C	
	1800	184TC	E	
7.5	3600	213TC	D	
10	3600	215TC		

Motor Frame Guide				
50 Hz Motors				
kW	RPM	RPM	IEC	Code
0.75	2900	2900	80	M
	1450	1450	80	
1.125	2900	2900	80	N
	1450	1450	90S	
1.5	2900	2900	90S	
	1450	1450	90L	
2.2	2900	2900	90L	Q
	1450	1450	100L	
3	2900	2900	100L	
	1450	1450	100L	
4	2900	2900	112M	
	1450	1450	112M	
5.5	2900	2900	132S	R
7.5	2900	2900	132S	

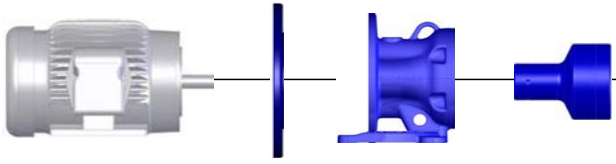
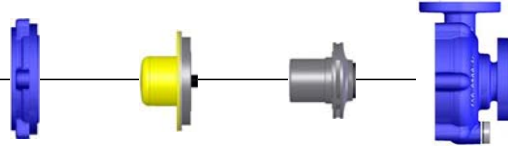
\

*U-mag Item List*



Item	Qty	Part Name	Standard Material	Optional Material
1	1	Casing	Ductile Iron/ETFE lining	Ductile Iron/PFA lining
2	1	Impeller Magnet Assembly	CFR/ETFE	PFA
6	1	Shaft, Pump	Silicon Carbide	Silicon Carbide
8	1	Wear Ring, Front Rotating	CFR/PTFE	Silicon Carbide
9	1	Retaining Ring, Front Stationary	CFR/ETFE	PFA
19	1	Adapter	Ductile Iron	Ductile Iron
20	1	Riser, Pump	Ductile Iron	Ductile Iron
27	1	Particulate Control Ring	CFR/ETFE	PFA
71	1	Collar, Back Thrust	CFR/PTFE	Silicon Carbide
72	1	Collar, Front Thrust	Silicon Carbide	Silicon Carbide
73	1	Gasket, O-ring	FKM (Fluorocarbon)	FEP/FKM Core
231	1	Shell, Containment	CFR/ETFE/Aramid Reinforced	PFA/Aramid Reinforced
232	1	Magnet Assembly, Outer	Ductile Iron/Neodymium Iron	Ductile Iron/Neodymium Iron
235	2	Bushing, Bearing	Carbon Graphite	Silicon Carbide
239	1	Ring, Containment	Ductile Iron	Ductile Iron
300	14	M10 Socket Cap Screw/Lock Washer	304SS	304SS

**U-mag Configuration**

DRIVE END				WET END				
Motor Frame (NEMA/IEC)	Mounting Plate (Close Coupled IEC)	Adapter (NEMA/IEC Close Coupled with Riser)	Outer Magnet Assembly (NEMA & IEC)	Containment Ring	Containment Shell Assembly (Includes: Pump Shaft, Wear Ring & Gasket)	Complete Impeller Assembly (Includes: Wear Ring & Bushing)	Casing Assembly (Includes: Wear Ring, Thrust Collar)	
								
<b>NEMA</b>	A. - 56C	ADP-0900-SI w/FTA-0900-SI	MAO-0901-SI	RGC-0900-SI	SLC-0900-AA	IMA-0900-AA	CSG-0900-AA	U0 - 1.5X1X5" (40X25mm)
	B. - 143/5 TC		MAO-0902-SI			IMA-0900-AA	CSG-0900-LB	UL - 1.5X1X5LF (40X25mm)
	C. - 182/4 TC		MAO-0903-SI			IMA-0910-AA	CSG-0910-AA	U1 - 2X1.5X6" (50X40mm)
	D. - 213/5 TC		MAO-0905-SI			IMA-0920-AA	CSG-0920-AA	U2 - 1X1X6" (25x25mm)
	E. - 182/5 TC (4 pole)		MAO-0904-SI			IMA-0930-AA	CSG-0930-AA	U3 - 3X2.5X6" (80x65mm)
<b>IEC</b>	M - 80	ADP-0905-SI w/FTA-0900-SI	MAO-0911-SI			IMA-0940-AA	CSG-0940-AA	U4 - 2.5X2X6" (65x50mm)
	N - 90S/L		MAO-0912-SI					
	P - 100L/112M		MAO-0913-SI					
	Q - 100L/112M (4 pole)		MAO-0914-SI					
	R - 132		ADP-0910-SI			MAO-0915-SI		

**NOTES:**

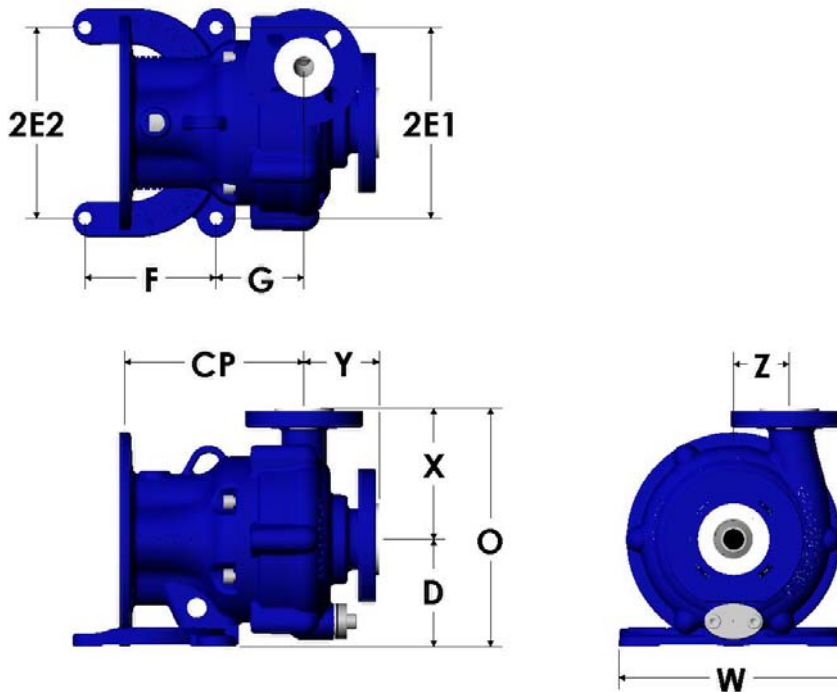
1. - Not all configurations are listed, consult factory for details.
2. Centerlines vary by pump size, refer to overall pump dimension sheet.

**General Notes:**

1. **MOTOR FRAME** – 132 IEC Motor Frame requires an extra mounting plate (ADP-0910-SI)
2. **ADAPTER** – Risers vary with pump size. (Refer to individual pump drawings for details)
3. **OUTER MAGNET** – IEC drives require a motor key, NEMA drives include the key (Dowel Pins).
4. **CONTAINMENT RING** – Standard ring accommodates IEC or NEMA driven pumps.
5. **CONTAINMENT SHELL** - Assemblies are offered in a variety of materials. (Standard listed above)
6. **IMPELLER** - Assemblies are offered in a variety of materials. (Standard listed above)
7. **CASING** - Assemblies are offered in a variety of materials. (Standard listed above) Flanges accommodate ANSI, ISO & JIS piping. (U3 listed above is ANSI dimensional)



**U-mag Dimensions**



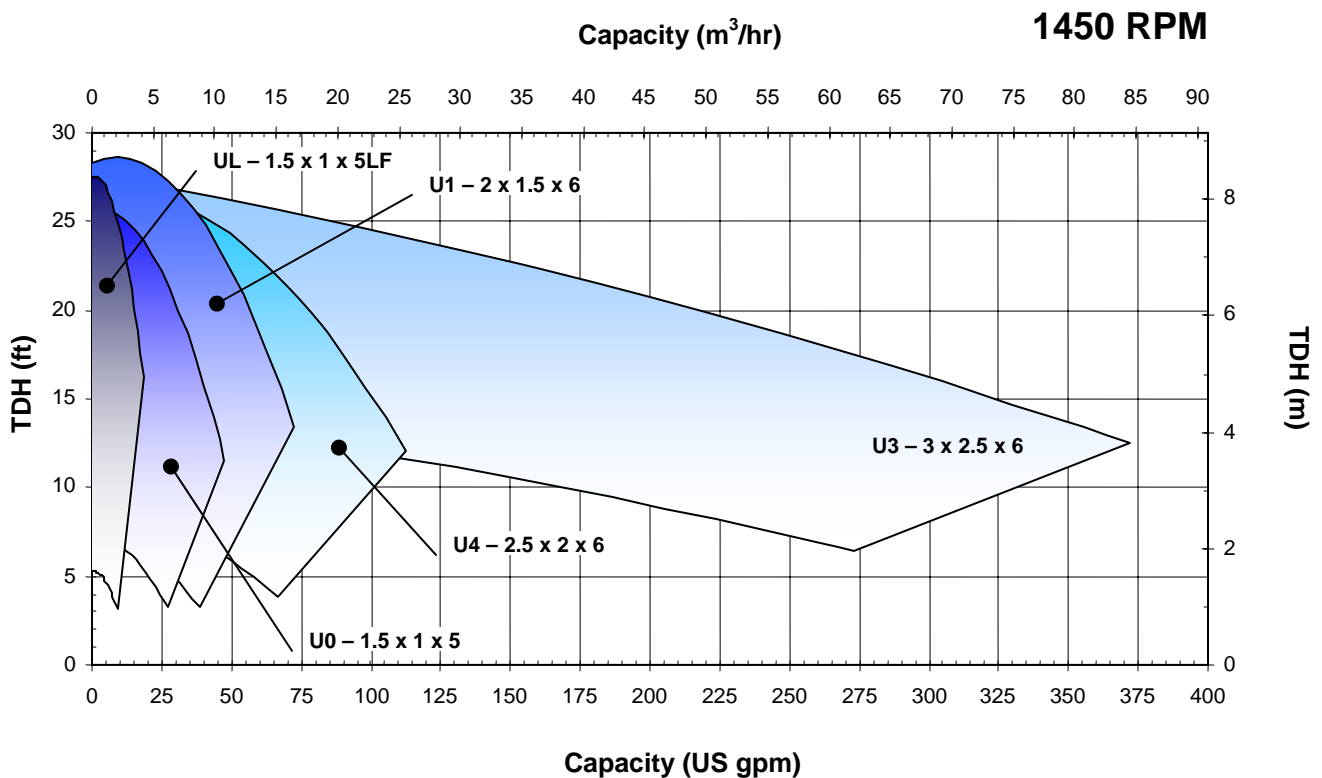
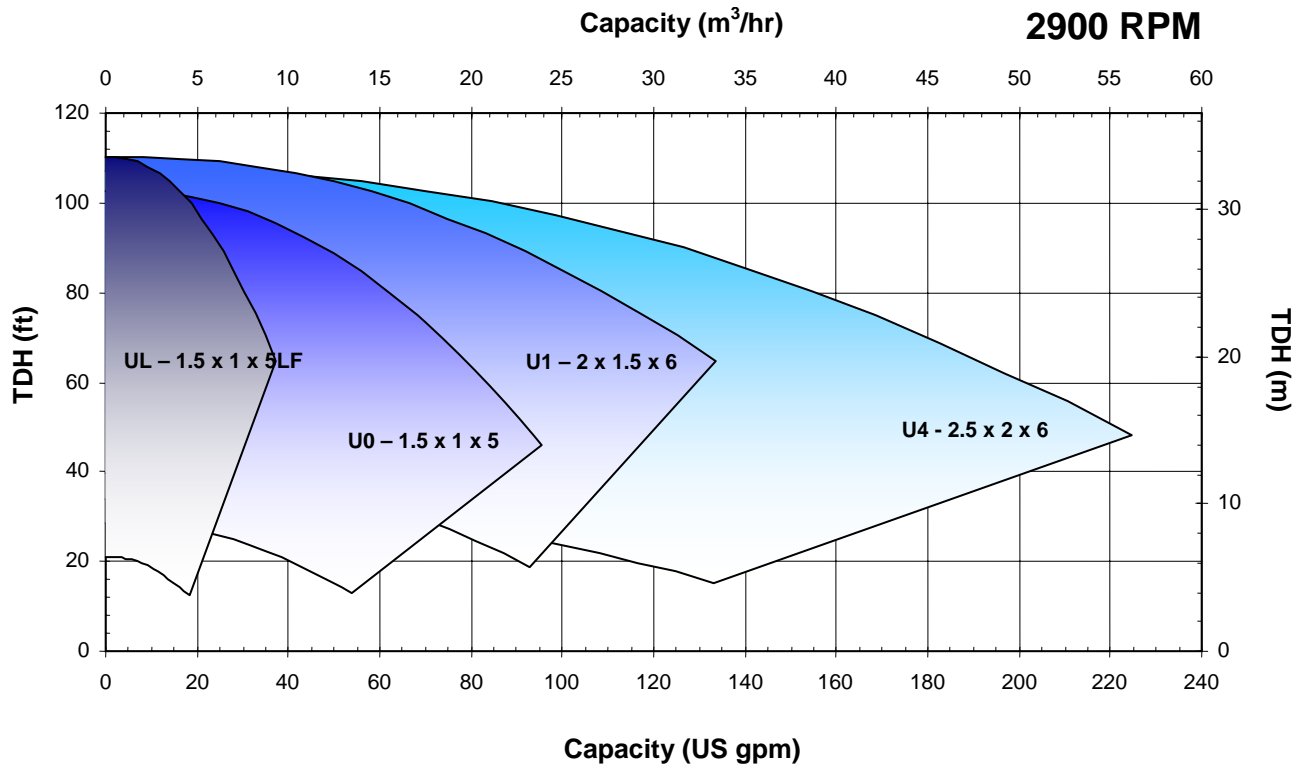
**Figure 1 – U-mag Pump Dimensions**

Model (Size)	2E <sub>1</sub>	2E <sub>2</sub>	F	G	O	W	X	Y	Z	Suction Flange			Discharge Flange			lb.(kg)
										ANSI (Class 150)	ISO (PN16)	JIS (10kg/cm <sup>2</sup> )	ANSI (Class 150)	ISO (PN16)	JIS (10kg/cm <sup>2</sup> )	
U0 - 1.5x1x5 (40x25x127mm)					10.00 (254)			3.15 (80)	2.34 (59)	1.50"	40mm	40mm	1.00"	25mm	25mm	54 (25)
UL - 1.5x1x5LF (40x25x127mm)					10.00 (254)		5.50 (140)	3.15 (80)	2.34 (59)	1.50"	40mm	40mm	1.00"	25mm	25mm	54 (25)
U1 - 2x1.5x6 (50x40x152mm)	8.00 (203)	8.00 (203)	5.50 (140)	3.69 (94)	11.60 (295)	9.64 (245)		3.42 (87)	2.56 (65)	2.00"	50mm	50mm	1.50"	40mm	40mm	65 (30)
U3 - 3x2.5x6 (80x65x152mm)					13.20 (323)		7.10 (180)	3.94 (100)	0.00 (0)	3.00"	80mm	80mm	2.50"	65mm	65mm	91 (41)
U4 - 2.5x2x6 (65x50x152mm)					12.40 (315)		6.30 (160)	3.15 (80)	0.00 (0)	2.50"	65mm	65mm	2.00"	50mm	50mm	80 (36)

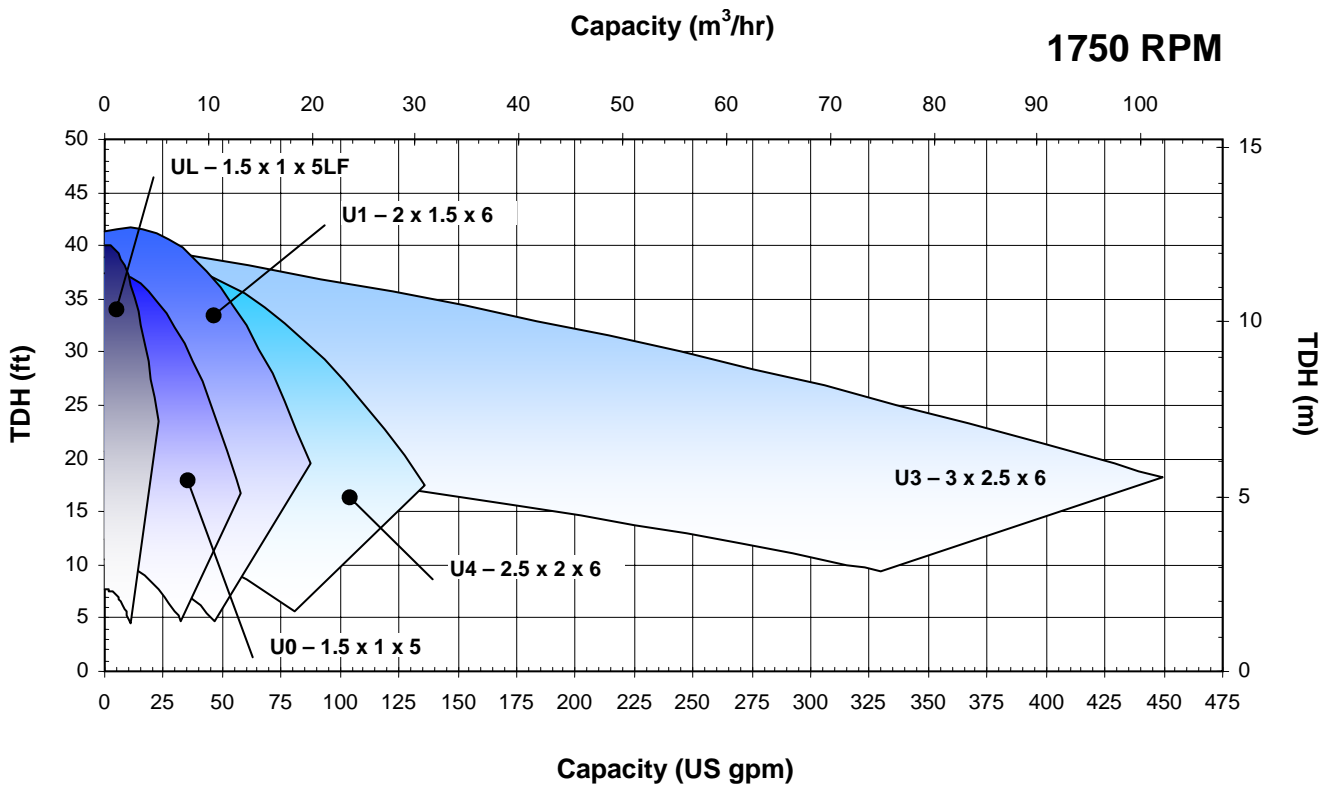
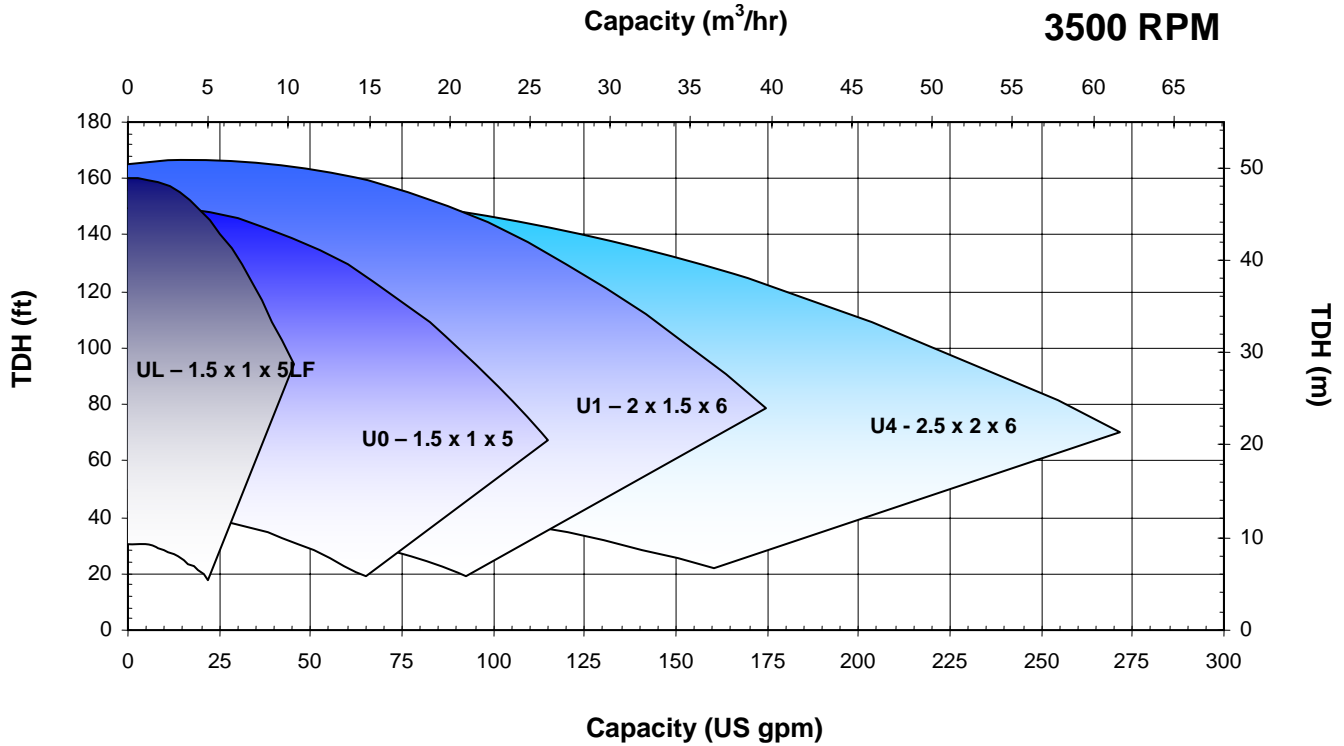
Model (Size)	NEMA								IEC					
	56C		143/5TC		182/4TC.		213/5TC		80/90SL		100L/112M		132	
	D	CP	D	CP	D	CP	D	CP	D	CP	D	CP	D	CP
U0 - 1.5x1x5 (40x25x127mm)	4.5 (114)		4.5 (114)		4.5 (114)		5.25 (133)		4.5 (114)					
UL - 1.5x1x5LF (40x25x127mm)	4.5 (114)		4.5 (114)		4.5 (114)		5.25 (133)		4.5 (114)					
U1 - 2x1.5x6 (50x40x152mm)	6.1 (156)	7.52 (191)	6.1 (156)	7.52 (191)	6.1 (156)	7.52 (191)	6.1 (156)	7.52 (191)	6.1 (156)	6.67 (169)	6.1 (156)	6.85 (174)	6.1 (156)	7.52 (191)
U3 - 3x2.5x6 (80x65x152mm)	6.1 (156)		6.1 (156)		6.1 (156)		6.1 (156)		6.1 (156)					
U4 - 2.5x2x6 (65x50x152mm)														

Slotted Flange: ANSI/ISO/JIS

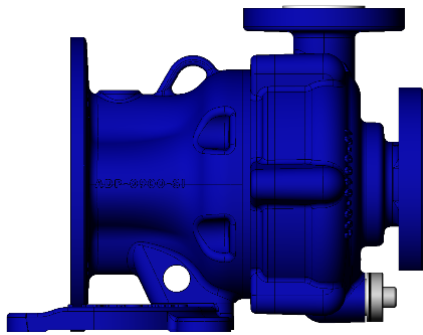
**U-mag Hydraulic Coverage – 50Hz**



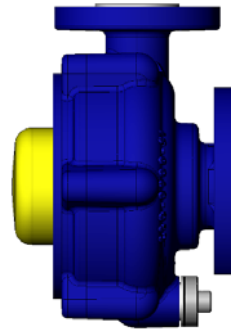
**U-mag Hydraulic Coverage – 60Hz**



**U-mag Pump Price List**



**Pump End**



**Wet End**

Model	Size	Motor Frame	Standard		Standard		Option 1	
			Pump End	Wet End	Pump End	Wet End	Pump End	Wet End
U0	1.5 x 1 x 5" (40 x 25 x 127mm)							
UL	1.5 x 1 x 5LF" (40 x 25 x 127mm)							
U1	2 x 1.5 x 6" (50 x 40 x 152mm)							
U3	3 x 2.5 x 6" (80 x 65 x 152mm)							
U4	2.5 x 2 x 6" (65 x 50 x 152mm)							

Standard		Standard		Option 1	
Case lining:	Pure ETFE	Casing lining:	Pure ETFE	Casing Lining:	Pure PFA
Internals:	CF-ETFE	Internals:	CF-ETFE	Internals:	Pure PFA
Front W.R.:	CFR-PTFE	Front W.R.:	SiC	Front W.R.:	SiC
Bushing:	Carbon Gr.	Bushing:	SiC	Bushing:	SiC

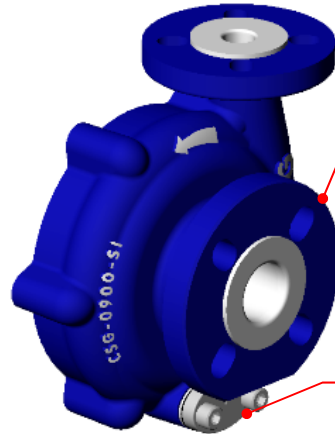
**A,B,C,M,N & P are rated at:**  
 HP (kW) @ rpm  
 5.0 (3.7) @ 3500  
 4.1 (3.1) @ 2900  
 2.5 (1.9) @ 1750  
 2.1 (1.6) @ 1450

**D0,E0,Q0,R0 are rated at:**  
 HP (kW) @ rpm  
 10.0 (7.5) @ 3500  
 8.3 (6.2) @ 2900  
 5.0 (3.7) @ 1750  
 4.1 (3.1) @ 1450

**Optional High Torque Drive:**  
**D1,E1,Q1,R1 are rated at:**  
 HP (kW) @ rpm  
 14.0 (10.4) @ 3500  
 11.7 (8.7) @ 2900  
 7.0 (5.2) @ 1750  
 5.8 (4.4) @ 1450

**U-mag Part Price List**

<b>Item:</b>	<b>1</b>	<b>Qty:</b>	<b>1</b>	<b>Part Name:</b>	<b>Casing, Lined</b>
<b>Detail:</b>	<ol style="list-style-type: none"> <li>One piece cast ductile iron.</li> <li>Flanges are slotted fits ANSI, ISO and JIS connections</li> <li>Bonded ETFE or PFA lining, minimum of 1/8" (3mm) thickness.</li> <li>Optional two bolt flanged 1/2" drain with pure PTFE gasket and 316SS blind flange</li> </ol>				



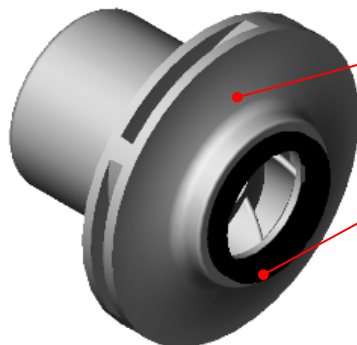
**Universal Slotted Flanges:**

- ANSI Class 150
- ISO PN16
- JIS kg/cm<sup>2</sup>

**Optional Casing Drain**

Model	Size/Description	Standard		Option 1		Option 2	
		Part #	\$/Each	Part #	\$/Each	Part #	\$/Each
U0	1.5 x 1" (40 x 25mm) ANSI, ISO, JIS	CSG-0900-SI		CSG-0901-SI		CSG-0900-PI	
U0	1.5 x 1" LF (40 x 25mm) ANSI, ISO, JIS	CSG-0900-LF		CSG-0901-LN		CSG-0900-PF	
U1	2 x 1.5" (50 x 40mm) ANSI, ISO, JIS	CSG-0910-SI		CSG-0911-SI		CSG-0910-PI	
U3	3 x 2.5 - ANSI class 150	CSG-0930-SI		CSG-0931-SI		CSG-0930-PI	
	80 x 65mm - ISO PN 16	CSG-0932-SI		CSG-0933-SI		CSG-0932-PI	
	80 x 65mm - JIS 10 kg/cm <sup>2</sup>	CSG-0934-SI		CSG-0935-SI		CSG-0934-PI	
U4	2.5 x 2" (65 x 50mm) ANSI, ISO, JIS	CSG-0940-SI		CSG-0941-SI		CSG-0940-PI	

<b>Item:</b>	<b>2</b>	<b>Qty:</b>	<b>1</b>	<b>Part Name:</b>	<b>Impeller Magnet</b>
<b>Detail:</b>	<ol style="list-style-type: none"> <li>Molded one-piece enclosed impeller made of carbon fiber-reinforced ETFE or PFA.</li> <li>High strength neodymium iron boron magnet assembly.</li> <li>Magnet assembly hermetically sealed by Patented "Tru-Seal" Design.</li> <li>High efficiency, low NPSHr impeller geometry.</li> </ol>				



**2**  
Qty: 1

**8**  
Qty: 1

Model	Size/Description	Standard		Option 1		Option 2	
		Part #	\$/Each	Part #	\$/Each	Part #	\$/Each
U0	1.5 x 1 x 5" (40 x 25 x 127mm)	IMA-0900-SI		IMA-0901-SI		IMA-0903-SI	
UL	1.5 x 1 x 5LF (40 x 25 x 127mm)	IMA-0900-SI		IMA-0901-SI		IMA-0903-SI	
U1	2 x 1.5 x 6" (50 x 40 152mm)	IMA-0910-SI		IMA-0911-SI		IMA-0913-SI	
U3	3 x 2.5 x 6" (80 x 65 x 152mm)	IMA-0930-SI		IMA-0931-SI		IMA-0933-SI	
U4	2.5 x 2 x 6" (65 x 50 x 152mm)	IMA-0940-SI		IMA-0941-SI		IMA-0934-SI	

<b>Item:</b>	<b>8</b>	<b>Qty:</b>	<b>1</b>	<b>Part Name:</b>	<b>Wear Ring, Front Rotating</b>
<b>Detail:</b>	A. Replaceable, CF-PTFE or Sintered SiC B. Located on the impeller front shroud.				



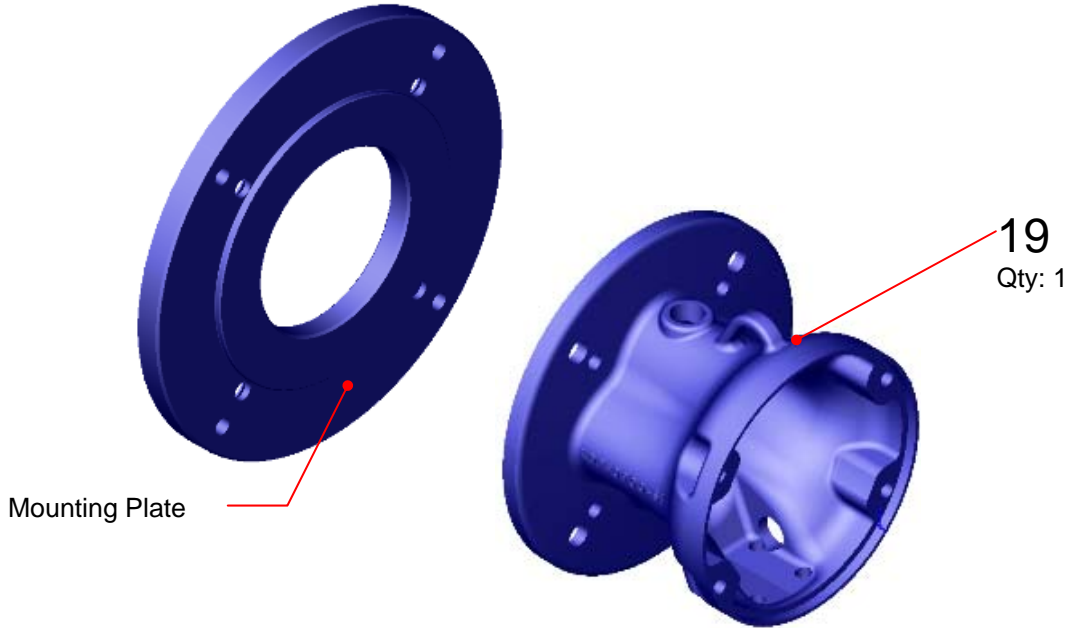
Model	Size/Description	Standard Wear Ring:		Option 1 Wear Ring:	
		Part #	\$/Each	Part #	\$/Each
U0	1.5 x 1 x 5" (40 x 25 x 127mm)	WRR-0900-SI		WRR-0901-SI	
UL	1.5 x 1 x 5" (40 x 25 x 127mm)	WRR-0900-SI		WRR-0901-SI	
U1	2 x 1.5 x 6" (50 x 40 152mm)	WRR-0910-SI		WRR-0911-SI	
U3	3 x 2.5 x 6" (80 x 65 x 152mm)	WRR-0930-SI		WRR-0931-SI	
U4	2.5 x 2 x 6" (65 x 50 x 152mm)	WRR-0940-SI		WRR-0941-SI	

<b>Item:</b>	<b>9</b>	<b>Qty:</b>	<b>1</b>	<b>Part Name:</b>	<b>Retaining Ring, Front Stationary</b>
<b>Detail:</b>	A. Replaceable, Carbon Filled ETFE or PFA B. Locks the Front Stationary Wear Ring in the Casing.				



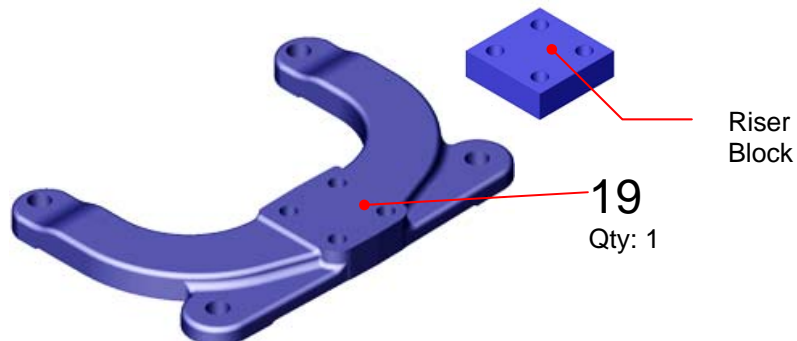
Model	Size/Description	Standard Material:		Option 1 Material:	
		Part #	\$/Each	Part #	\$/Each
U0	1.5 x 1 x 5" (40 x 25 x 127mm)	RGR-0900-SI		RGR-0901-SI	
UL	1.5 x 1 x 5" (40 x 25 x 127mm)	RGR-0900-SI		RGR-0901-SI	
U1	2 x 1.5 x 6" (50 x 40 152mm)	RGR-0910-SI		RGR-0911-SI	
U3	3 x 2.5 x 6" (80 x 65 x 152mm)	RGR-0930-SI		RGR-0931-SI	
U4	2.5 x 2 x 6" (65 x 50 x 152mm)	RGR-1040-SI		RGR-0941-SI	

Item:	<u>19</u>	Qty:	<u>1</u>	Part Name:	<u>Adapter</u>
Detail:	A. One-piece ductile iron casting. B. Mounts to a wide range of standard NEMA & IEC C-face motors. C. Includes (3) ½" NPT access ports for optional monitoring. D. Zero alignment required.				



Model	Size/Description	Standard	Ductile Iron:
		Material:	\$/Each
U	NEMA - 56C thru 213/15TC	ADP-0900-SI	
	IEC - 80 thru 112 Frame	ADP-0905-SI	
	Mounting Plate, IEC 132 Frame	ADP-0910-SI	

Item:	<u>20</u>	Qty:	<u>1</u>	Part Name:	<u>Foot, Adapter</u>
Detail:	A. One-piece ductile iron casting. B. Mounts to NEMA & IEC Series Adapter. C. Included Hardware for securing to pump adapter.				



Model	Size/Description	Standard	Ductile Iron
		Material:	\$/Each
U	NEMA - 56C thru 213/15TC	FTA-0900-SI	
	5.25" Centerline Riser Block	FTA-0905-SI	
	6.10" Centerline Riser Block	FTA-0910-SI	
	7.10" Centerline Riser Block	FTA-0910-SI	

<b>Item:</b>	<u>27</u>	<b>Qty:</b>	<u>1</u>	<b>Part Name:</b>	<u>Particulate Control Ring</u>
<b>Detail:</b>	A. Replaceable, CF-ETFE or PFA B. Positioned in the Containment Shell.				



Model	Size/Description	Standard Material:		Option 1 Material:	
		Part #	\$/Each	Part #	\$/Each
U	U0, U1, U2, U3 & U4	SUB-1603-M0		SUB-1603-M1	

<b>Item:</b>	<u>71</u>	<b>Qty:</b>	<u>1</u>	<b>Part Name:</b>	<u>Collar, Back Thrust</u>
<b>Detail:</b>	A. Replaceable, Carbon Filled PTFE or Sintered SiC B. Positioned in the Containment Shell.				



Model	Size/Description	Standard Material:		Option 1 Material:	
		Part #	\$/Each	Part #	\$/Each
U	U0, UL, U1, U3 & U4	CRT-0900-SI		CRT-0901-SI	

<b>Item:</b>	<u>72</u>	<b>Qty:</b>	<u>1</u>	<b>Part Name:</b>	<u>Collar, Front Thrust</u>
<b>Detail:</b>	C. Replaceable, Sintered SiC D. Positioned in the Casing.				



Model	Size/Description	Standard Material:	
		Part #	\$/Each
U0	1.5 x 1 x 5" (40 x 25 x 127mm)	CRT-0905-SI	
UL	1.5 x 1 x 5" (40 x 25 x 127mm)	CRT-0905-SI	
U1	2 x 1.5 x 6" (50 x 40 152mm)	CRT-0910-SI	
U3	3 x 2.5 x 6" (80 x 65 x 152mm)	CRT-0935-SI	
U4	2.5 x 2 x 6" (65 x 50 x 152mm)	CRT-0940-SI	

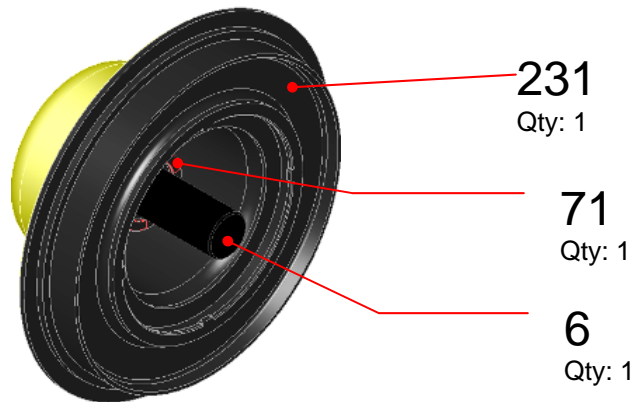


Item:	<u>73</u>	Qty:	<u>1</u>	Part Name:	<u>Gasket, O-Ring</u>
Detail:	<p>A. Replaceable, FKM o-ring standard. Provides universal chemical resistance.</p> <p>B. Square cross section: 0.210 x 0.210, more sealing surface than traditional O-rings.</p> <p>C. Optional Materials are FEP/FKM or EPDM. Others available upon request.</p> <p>D. Positioned between the Casing and Containment Shell.</p>				



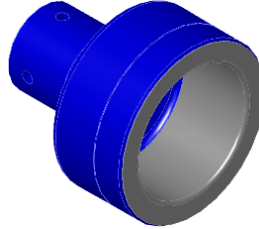
Model	Size/Description	Standard		Option 1		Option 2	
		Part #	\$/Each	Part #	\$/Each	Part #	\$/Each
U	U0, UL, U1, U3 & U4	GTO-0903-SI		GTO-0904-SI		GTO-0905-SI	

Item:	<u>231</u>	Qty:	<u>1</u>	Part Name:	<u>Shell, Containment</u>
Detail:	<p>A. One-piece molding of carbon fiber-reinforced Fluoropolymer ETFE or PFA.</p> <p>B. Outer pressure housing molded from Aramid/Vinyl ester composite.</p> <p>C. Aramid provides optimum combination of pressure and shock resistance.</p> <p>D. Reinforced shaft socket to handle any combination of radial loads.</p> <p>E. Zero eddy current losses for no heat operation and maximum possible efficiency.</p> <p>F. Internal ribs limit swirl to promote fast ejection of fine particles from containment shell.</p>				



Model	Size/Description	Standard		Option 1		Option 2	
		Part #	\$/Each	Part #	\$/Each	Part #	\$/Each
U	U0, UL, U1, U3 & U4	SLC-0900-SI		SLC-0901-SI		SLC-0903-SI	

<b>Item:</b>	<b>232</b>	<b>Qty:</b>	<b>1</b>	<b>Part Name:</b>	<b>Magnet Assembly, Outer</b>
<b>Detail:</b>	A. Ductile iron shell with high strength neodymium iron boron magnets. B. One drive size per motor frame. Minimum possible inventory. C. Keyless hub for fast assembly. D. Jackscrew holes provided for easy removal from motor shaft.				



**Standard**  
D.I./NdFeB Magnets

**Maximum Torque Rating**

Model	Size/Description	Part #	\$/Each	Maximum Torque Rating			
				3500 rpm	2900 rpm	1750 rpm	1450 rpm
U	A - NEMA 56C	MA0-0901-SI		5 hp (3.7kW)	4.1 hp (3.1kW)	2.5 hp (1.9kW)	2.1 hp (1.6kW)
	B - NEMA 143/5TC	MA0-0902-SI		5 hp (3.7kW)	4.1 hp (3.1kW)	2.5 hp (1.9kW)	2.1 hp (1.6kW)
	C - NEMA 182/4TC	MA0-0903-SI		5 hp (3.7kW)	4.1 hp (3.1kW)	2.5 hp (1.9kW)	2.1 hp (1.6kW)
	D - NEMA 213/5TC	MA0-0905-SI		10 hp (10.4kW)	11.7 hp (8.7kW)	7.0 hp (5.2kW)	5.8 hp (4.4kW)
	D - NEMA 213/5TC High Torque	MA0-0906-SI		14 hp (7.5kW)	8.3 hp (6.2kW)	5.0 hp (3.7kW)	4.1 hp (3.1kW)
	E - NEMA 182/4TC (4 Pole Motor)	MA0-0904-SI		10 hp (7.5kW)	8.3 hp (6.2kW)	5.0 hp (3.7kW)	4.1 hp (3.1kW)
	E1 - NEMA 254/6 TC	MA0-0907-SI		14 hp (7.5kW)	8.3 hp (6.2kW)	5.0 hp (3.7kW)	4.1 hp (3.1kW)
	M - IEC 80	MA0-0911-SI		5 hp (3.7kW)	4.1 hp (3.1kW)	2.5 hp (1.9kW)	2.1 hp (1.6kW)
	N - IEC 90S/L	MA0-0912-SI		5 hp (3.7kW)	4.1 hp (3.1kW)	2.5 hp (1.9kW)	2.1 hp (1.6kW)
	P - IEC 100L	MA0-0913-SI		5 hp (3.7kW)	4.1 hp (3.1kW)	2.5 hp (1.9kW)	2.1 hp (1.6kW)
	Q - 112M (4 Pole Motor)	MA0-0914-SI		10 hp (7.5kW)	8.3 hp (6.2kW)	5.0 hp (3.7kW)	4.1 hp (3.1kW)
	R - IEC 132	MA0-0915-SI		10 hp (7.5kW)	8.3 hp (6.2kW)	5.0 hp (3.7kW)	4.1 hp (3.1kW)
	R1 - IEC 132 High Torque	MA0-0916-SI		14 hp (7.5kW)	8.3 hp (6.2kW)	5.0 hp (3.7kW)	4.1 hp (3.1kW)

<b>Item:</b>	<b>235</b>	<b>Qty:</b>	<b>2</b>	<b>Part Name:</b>	<b>Bushing, Bearing</b>
<b>Detail:</b>	A. Tandem bearing system made of pure sintered silicon carbide (SiC) B. Separately mounted for optimum alignment with shaft.				



**Standard**  
Material: Carbon Graphite

**Option 1**  
Material: SiC

Model	Size/Description	Part #	\$/Each	Part #	\$/Each
U	U0, UL, U1, U3 & U4	BGB-0901-SI		BGB-0900-SI	

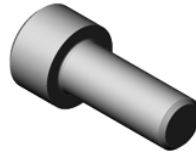
<b>Item:</b>	<b>239</b>	<b>Qty:</b>	<b>1</b>	<b>Part Name:</b>	<b>Ring, Containment</b>
<b>Detail:</b>	A. One-piece ductile iron casting. B. Aligns and supports the containment shell. C. Jackscrew holes provided for easy disassembly				



**Standard**  
Material: Ductile Iron

Model	Size/Description	Part #	\$/Each
U	U0, UL, U1, U3 & U4	RGC-0900-SI	

<b>Item:</b>	<u>300</u>	<b>Qty:</b>	<u>14</u>	<b>Part Name:</b>	<u>Socket Head Cap Screw</u>
<b>Detail:</b>	A. Solid 304SS fully threaded				



Standard  
Material: S.S.

Model	Size/Description	Part #	\$/Each
U	M10-1.5X25	HDW-1055-SI	
	M10-1.5X40	HDW-1056-SI	
	M10-1.5X60	HDW-1057-SI	

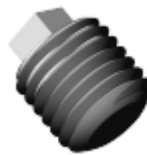
<b>Item:</b>	<u>301</u>	<b>Qty:</b>	<u>14</u>	<b>Part Name:</b>	<u>Lock Washer</u>
<b>Detail:</b>	A. Solid 304SS lock washer				



Standard  
Material: S.S.

Model	Size/Description	Part #	\$/Each
U	M10 Lock Washer	HDW-0901-SI	

<b>Item:</b>	<u>302</u>	<b>Qty:</b>	<u>1</u>	<b>Part Name:</b>	<u>Plug</u>
<b>Detail:</b>	A. Solid 304SS 1/2" Plug B. Located on all U-mag Adapter, access plug for tightening outer magnet assemblies				



Standard  
Material: P.E.

Model	Size/Description	Part #	\$/Each
U	Top of Adapter	HDW-1230-SI	
	Bottom of Adapter	HDW-1500-SI	

<b>Item:</b>	<u>370</u>	<b>Qty:</b>	<u>1</u>	<b>Part Name:</b>	<u>Drain Flange</u>
<b>Detail:</b>	A. Solid 304SS flange				



<b>Standard</b>			
Material:			304 SS
Model	Size/Description	Part #	\$/Each
U	Flange	SUB-1280-SI	

<b>Item:</b>	<u>371</u>	<b>Qty:</b>	<u>1</u>	<b>Part Name:</b>	<u>PTFE Drain Gasket</u>
<b>Detail:</b>	A. Universal corrosion PTFE				



<b>Standard</b>			
Material:			PTFE
Model	Size/Description	Part #	\$/Each
U	Drain Gasket	GTO-1040-SI	

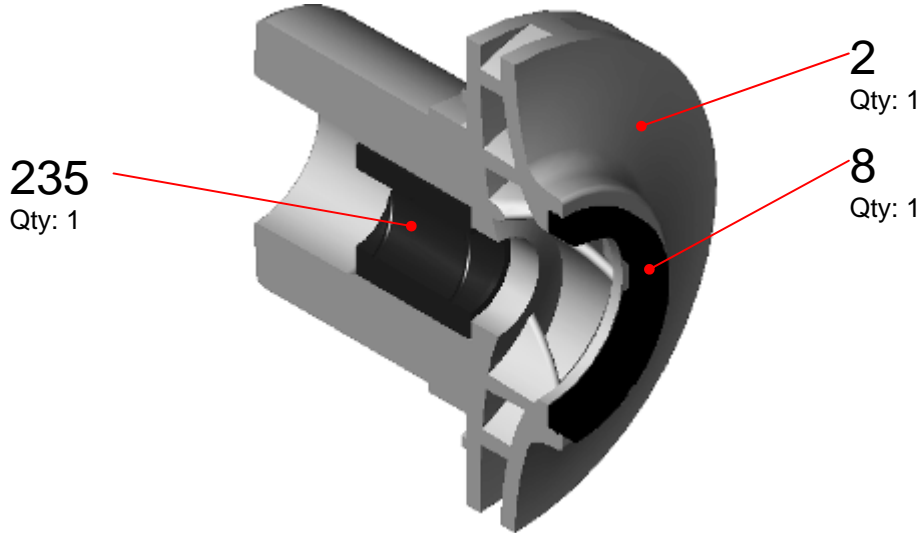
<b>Item:</b>	<u>372</u>	<b>Qty:</b>	<u>1</u>	<b>Part Name:</b>	<u>Neoprene Drain Gasket</u>
<b>Detail:</b>	A. Gasket provides a constant, even loading on the PTFE gasket				



<b>Standard</b>			
Material:			Neoprene
Model	Size/Description	Part #	\$/Each
U	Drain Gasket Backing	GTO-1050-SI	

**Completed Sub Assemblies** (Price includes installation/labor of Listed parts)

<b>Item:</b>	<b>2</b>	<b>Qty:</b>	<b>1</b>	<b>Part Name:</b>	<b>Impeller Magnet, Complete</b>
<b>Detail:</b>	<p>A. Molded one-piece enclosed impeller made of carbon fiber-reinforced ETFE or PFA.          B. High strength neodymium iron boron magnet assembly.          C. Magnet assembly hermetically sealed by Patented "Tru-Seal" Design.          D. High efficiency, low NPSHr impeller geometry.</p>				

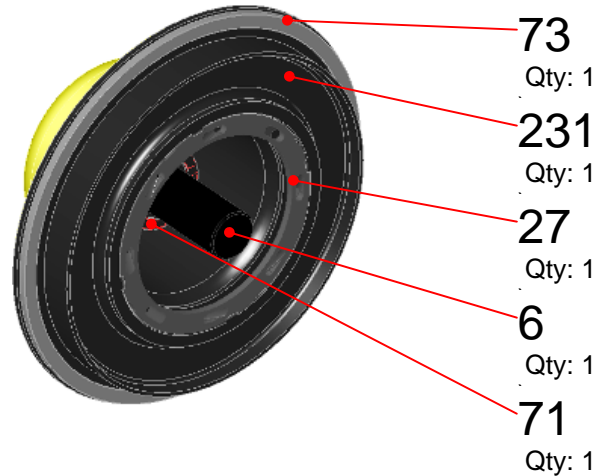


<b>Standard</b>	<b>Option 1</b>	<b>Option 2</b>	<b>Option 3</b>
Impeller Body: CF-ETFE	Impeller Body: CF-ETFE	Impeller Body: CF-ETFE	Impeller Body: Pure-PFA
Wear Ring: CF-PTFE	Wear Ring: SiC	Wear Ring: CF-PTFE	Wear Ring: SiC
Bushing: Carbon	Bushing: SiC	Bushing: SiC	Bushing: SiC

Model	Size/Description	Part #	\$/Each	Part #	\$/Each	Part #	\$/Each	Part #	\$/Each
U0	1.5 x 1 x 5" (40 x 25 x 127mm)	IMA-0900-AA		IMA-0901-AA		IMA-0902-AA		IMA-0903-AA	
UL	1.5 x 1 x 5" (40 x 25 x 127mm)	IMA-0900-AA		IMA-0901-AA		IMA-0902-AA		IMA-0903-AA	
U1	2 x 1.5 x 6" (50 x 40 152mm)	IMA-0910-AA		IMA-0911-AA		IMA-0912-AA		IMA-0913-AA	
U3	3 x 2.5 x 6" (80 x 65 x 152mm)	IMA-0930-AA		IMA-0931-AA		IMA-0932-AA		IMA-0933-AA	
U4	2.5 x 2 x 6" (65 x 50 x 152mm)	IMA-0940-AA		IMA-0941-AA		IMA-0942-AA		IMA-0943-AA	

**Completed Sub Assemblies** (Price includes installation/labor of Listed parts)

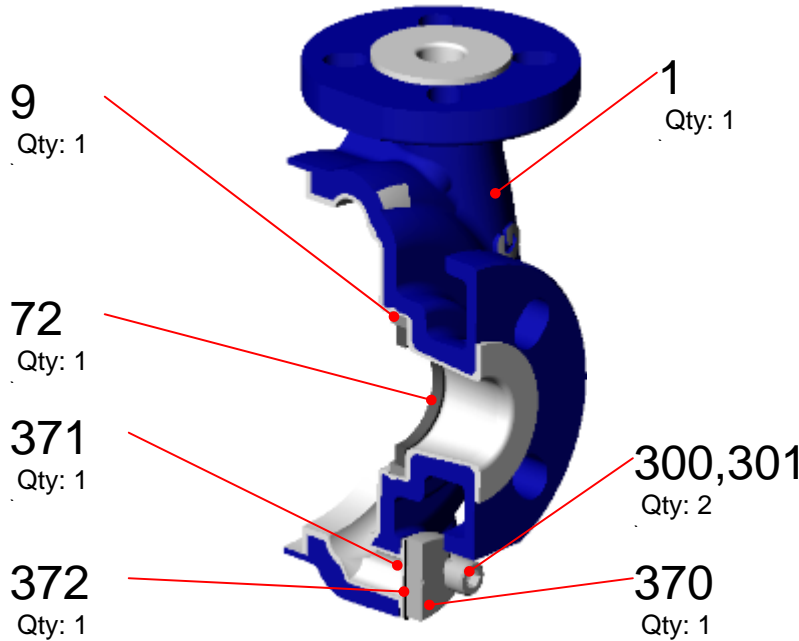
<b>Item:</b>	<b>231</b>	<b>Qty:</b>	<b>1</b>	<b>Part Name:</b>	<b>Containment Shell, Complete</b>
<b>Detail:</b>	<p>A. One-piece molding of carbon fiber-reinforced Fluoropolymer ETFE or PFA.          B. Outer pressure housing molded from Aramid/Vinyl ester composite.          C. Aramid provides optimum combination of pressure and shock resistance.          D. Reinforced shaft socket to handle any combination of radial loads.          E. Zero eddy current losses for no heat operation and maximum possible efficiency.          F. Internal ribs limit swirl to promote fast ejection of fine particles from containment shell.</p>				



Model	Size/Description	Standard		Option 1		Option 2	
		Part #	\$/Each	Part #	\$/Each	Part #	\$/Each
U	U0, UL, U1, U3 & U4 With FKM Gasket	SLC-0900-AA		SLC-0901-AA		SLC-0903-AA	
	With FEP/FKM encapsulated Gasket	SLC-0910-AA		SLC-0911-AA		SLC-0913-AA	
	With EPDM Gasket	SLC-0920-AA		SLC-0921-AA		SLC-0923-AA	

**Completed Sub Assemblies** (Price includes installation/labor of Listed parts)

<b>Item:</b>	<b>1</b>	<b>Qty:</b>	<b>1</b>	<b>Part Name:</b>	<b>Casing, Lined</b>
<b>Detail:</b>	A. One piece cast ductile iron. B. Bonded ETFE or PFA lining, minimum of 1/8" (3mm) thickness. C. Self venting, top centerline and Tangential discharge design. D. Two bolt flanged 1/2" drain with pure PTFE gasket and 316SS blind flange, standard.				



Model	Size/Description	Part #	\$/Each	Standard		Option 1		Option 2		
				Casing Lining:	Thrust Collar:	Drain:	Casing Lining:	Thrust Collar:	Drain:	Casing Lining:
U0	1.5 x 1" (40 x 25mm) ANSI, ISO, JIS	CSG-0900-AA		ETFE	NO	ETFE	YES	PFA	NO	
UL	1.5 x 1" (40 x 25mm) ANSI, ISO, JIS	CSG-0900-LA		SiC	NO	SiC	YES	PFA	NO	
U1	2 x 1.5" (50 x 40mm) ANSI, ISO, JIS	CSG-0910-AA		ETFE	NO	ETFE	YES	PFA	NO	
U3	3 x 2.5 - ANSI class 150	CSG-0930-AA		ETFE	NO	ETFE	YES	PFA	NO	
	80 x 65mm - ISO PN 16	CSG-0932-AA		SiC	NO	SiC	YES	PFA	NO	
	80 x 65mm - JIS 10 kg/cm <sup>2</sup>	CSG-0934-AA		ETFE	NO	ETFE	YES	PFA	NO	
U4	2.5 x 2" (65 x 50mm) ANSI, ISO, JIS	CSG-0940-AA		ETFE	NO	ETFE	YES	PFA	NO	

**U-mag Recommended Spare Parts**

This recommended spare parts list is intended to assist our customers in maintaining an adequate spare parts inventory based on the severity of the service. To prevent system downtime, we recommend that you have these spares on site.

**1. Normal, non-abrasive service**

(For preventative maintenance pump inspections)

**Gasket, O-Ring**

Model	Size/Description	Standard		Optional 1		Optional 2	
		Part #	\$/Each	Part #	\$/Each	Part #	\$/Each
U	U0, U1, U2, U3 & U4	GTO-0903-SI		GTO-0904-SI		GTO-0905-SI	

**2. Abrasive, low viscosity or low NPSHa service**

(Replace wear parts)

**Bushing, Bearing**

Model	Size/Description	Standard		Option 1	
		Part #	\$/Each	Part #	\$/Each
U	U0, U1, U2, U3 & U4	BGB-0901-SI		BGB-0900-SI	

**Gasket, O-Ring**

Model	Size/Description	Standard		Optional 1		Optional 2	
		Part #	\$/Each	Part #	\$/Each	Part #	\$/Each
U	U0, U1, U2, U3 & U4	GTO-0903-SI		GTO-0904-SI		GTO-0905-SI	

**3. Critical services**

(When fast repairs from major upsets are required the following pre-assembled cartridges are recommended)

**Impeller Magnet, Complete**

(Includes 1-Impeller, 1-Bushing Bearing, 1-Wear Ring, Labor)

Model	Size/Description	Standard		Option 1		Option 2		Option 3	
		Part #	\$/Each	Part #	\$/Each	Part #	\$/Each	Part #	\$/Each
U0	1.5 x 1 x 5" (40 x 25 x 127mm)	IMA-0900-AA		IMA-0901-AA		IMA-0902-AA		IMA-0903-AA	
UL	1.5 x 1 x 5" (40 x 25 x 127mm)	IMA-0900-AA		IMA-0901-AA		IMA-0902-AA		IMA-0903-AA	
U1	2 x 1.5 x 6" (50 x 40 152mm)	IMA-0910-AA		IMA-0911-AA		IMA-0912-AA		IMA-0913-AA	
U3	3 x 2.5 x 6" (80 x 65 x 152mm)	IMA-0930-AA		IMA-0931-AA		IMA-0932-AA		IMA-0933-AA	
U4	2.5 x 2 x 6" (65 x 50 x 152mm)	IMA-0940-AA		IMA-0941-AA		IMA-0942-AA		IMA-0943-AA	

**Containment Shell, Complete**

(Includes 1-Containment Shell, 1-Particle Control Ring, 1-Pump Shaft, 1-Gasket O-Ring, 1-Rear Thrust Collar, Labor)

Model	Size/Description	Standard		Option 1		Option 2	
		Part #	\$/Each	Part #	\$/Each	Part #	\$/Each
U	U0, UL, U1, U3 & U4 With FKM Gasket	SLC-0900-AA		SLC-0901-AA		SLC-0903-AA	
	With FEP/FKM encapsulated Gasket	SLC-0910-AA		SLC-0911-AA		SLC-0913-AA	
	With EPDM Gasket	SLC-0920-AA		SLC-0921-AA		SLC-0923-AA	