



ISC2 Series

Innovative standard cartridge seals

Sealing solutions for fluid handling applications
on shaft diameters up to 200 mm (8.000 inch)



Experience In Motion

ISC2 Series seals meet all major international standards and are designed to fit hundreds of pump models from global manufacturers.



Increased reliability and reduced cost of ownership in a versatile cartridge seal

The ISC2 Series is a complete family of mechanical seals that provide exceptional reliability and standardization over the widest variety of industrial applications and equipment.

Improve operational efficiency throughout your facility

Based on an extensive global review of equipment requirements, performance expectations, service conditions and best practices, ISC2 seals are the most capable general purpose cartridge seals available. Facilities that standardize with ISC2 seals will immediately benefit from less inventory, greater flexibility, rapid availability, less downtime and longer seal life.

Protect your employees, protect your environment

ISC2 seals do more to provide a safe work environment and protect the natural environment than any other standard cartridge seal. Single seals have capable throttle bushings to protect against leaks. Pressurized dual seals provide zero process emissions. The outboard seal of dual seals can handle full operating conditions if the inboard seal were to fail.

ISC2 seals work hard to eliminate the possible causes of leakage. Our thermal management technology for dry running tolerance, robust seal face drive mechanisms, high-efficiency barrier circulation, rigid setting devices and high quality materials all contribute to improve seal life even with multiple service conditions, off-design operation, and frequent starts and stops. ISC2 seals are capable of sustaining years of uninterrupted, long-term operation.

You're not alone with Flowserve

Through our network of Quick Response Centers located throughout the world, ISC2 seal hardware is only one component of Flowserve's commitment to reducing your total cost of ownership. Our seal hardware is backed by 24-hour support, on-site service, engineering analysis, seal repair capabilities, customized stocking programs and on-time delivery.

Our ultimate demonstration of commitment to customer service is through a LifeCycle Advantage™ program where ISC2 seals fit perfectly into inventory standardization programs and measurably improve mean time between repair (MTBR).





ISC2 Series seals succeed in the widest variety of industries and applications

With the most comprehensive industry coverage, ISC2 seals may be the only seals you need

Chemical - corrosion-resistant standard and optional materials of construction; excellent dual seal performance in hazardous and toxic fluids

Petrochemical - pusher and bellows seal geometries engineered for a broad range of equipment sizes and operating conditions facilitate plant-wide design standardization

Corn processing - drive mechanisms tolerate high viscosity-driven torque and sticky fluids; high barrier flow rates enhance dual seal cooling

Biofuels - economical designs are versatile to multiple service types; cartridge installation is easy and the first step toward reliability

Pulp & paper - retrofit more packed pumps to significantly reduce leakage and water consumption; springs located outside the process fluid prevent clogging

Water and Wastewater - simple yet robust single pusher cartridge seals are ideal for cost-effective sealing; hard face options improve solids handling

Mining - pusher seals handle light solids up to 10% by weight with hard-on-hard seal faces; smooth geometry reduces opportunity for erosion

Power - single seals with an optional circulating device provide economical warm water sealing on condensate and circulation pumps

Unloading terminals - seal face thermal management survives short-term dry run events and batch processes

API 682 / ISO 21049 is just another standard we satisfy

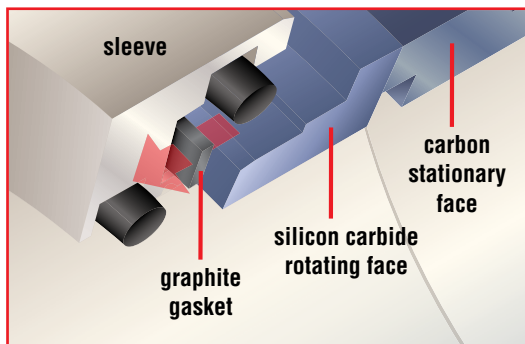
Standard ISC2 seals have surpassed all qualification testing requirements for Type A and B, Arrangement 1, 2 and 3 seals as required by API 682/ISO 21049. All design requirements for Category 1 and 2 services are satisfied with ISC2-682 seals, which feature non-slotted pilot-fit glands, thick sleeves, setting plates and much more. ISC2-682 seals will help facilities align their standardization programs with the sealing industry's most comprehensive best-practices standard.



Advanced ISC2 seal design features enable superior rotating equipment reliability

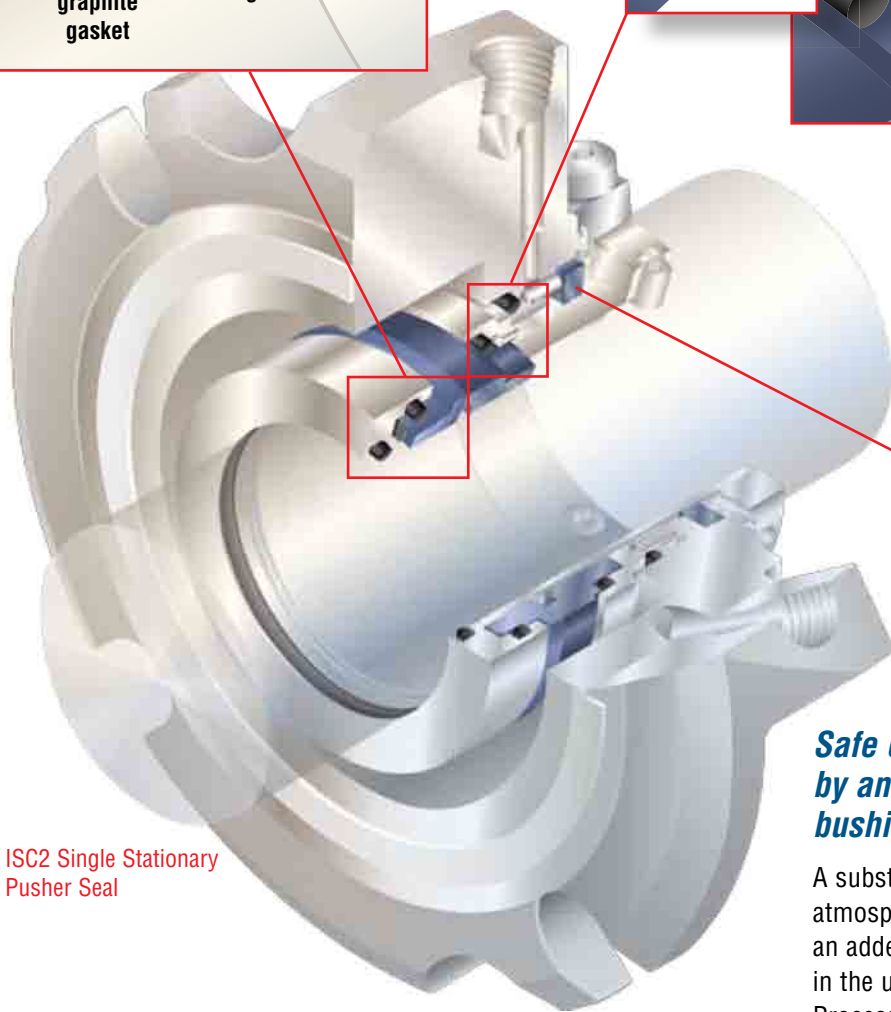
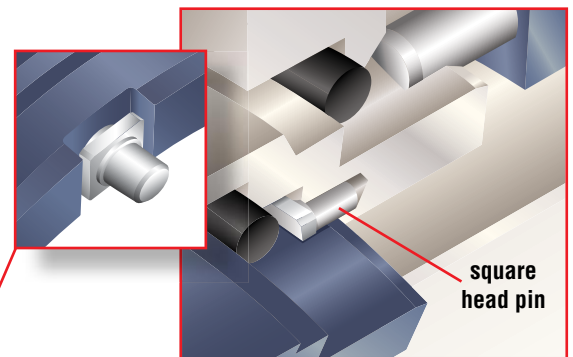
Tolerate dry running events with our exclusive thermal management technology

Thermally conductive and mechanically compliant graphite material dramatically improves heat transfer between the silicon carbide rotating seal face and the sleeve. The sleeve acts as a heat sink, lowering seal face operating temperatures and transforming cavitating and dry running bad actors into highly reliable installations.



Robust drive mechanisms deliver high torque loads with low seal face stress

Square-head drive pins self-align with the seal faces to distribute torque loads evenly over an area instead of a high-stress point load, reducing seal face fractures. The torque carrying capability of the ISC2 seal is three times that of similar competitor seals.



ISC2 Single Stationary Pusher Seal

Safe containment is provided by an uncompromising throttle bushing

A substantial fixed carbon bushing on the atmospheric side of single seals provides an added measure of safety and reliability in the unlikely event of a seal failure. Process leakage is directed to the drain for safe handling and disposal.

Industry's most durable metal bellows are bigger and better

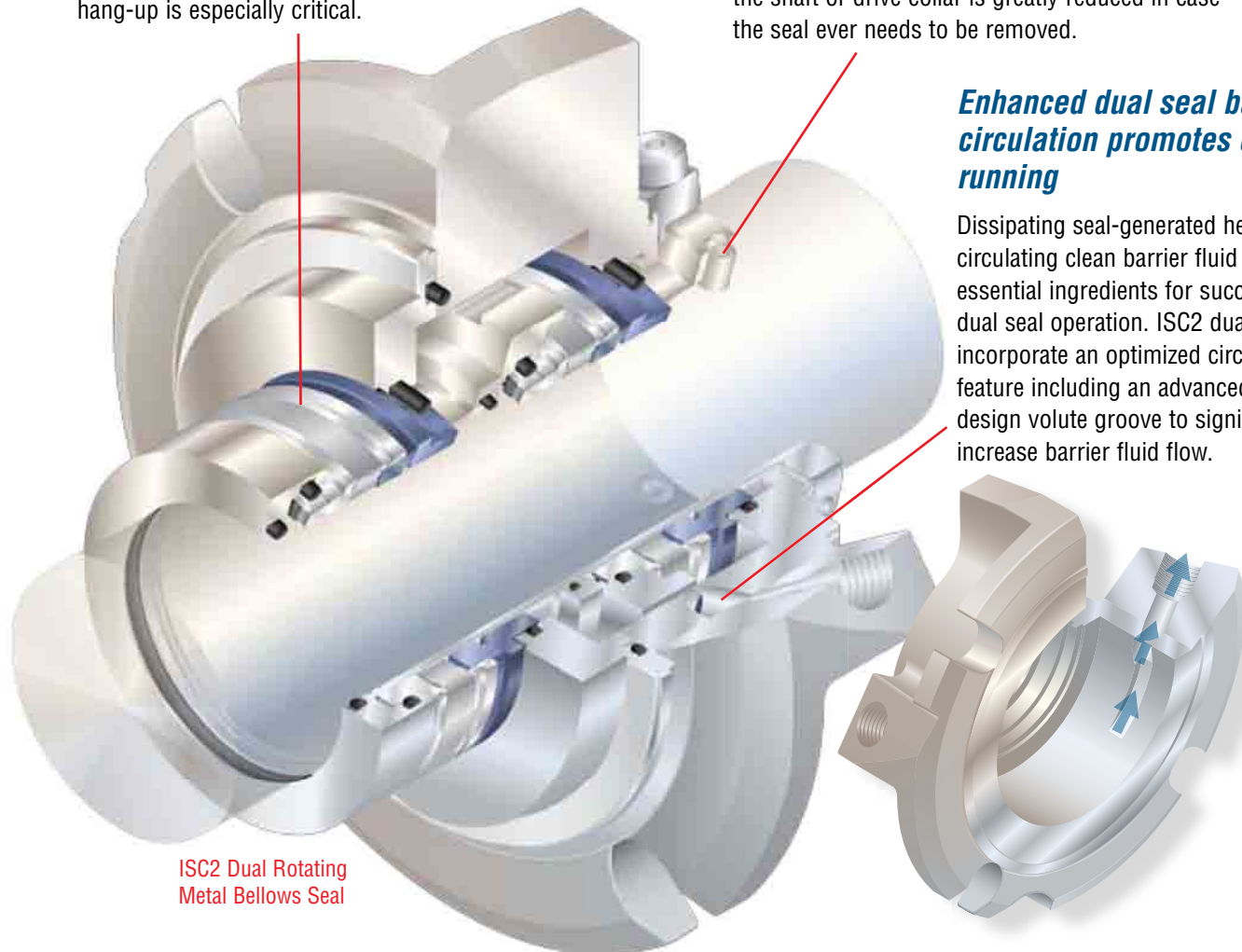
Edge-welded metal bellows of Alloy C-276 metallurgy are well suited for a wide range of chemical environments in seal sizes up to 95 mm (3.750 inch). Rotating bellows have a self-cleaning effect and are the preferred solution for highly corrosive services where avoiding seal face hang-up is especially critical.

Hard set screws bite harder for better holding power

Drive collar set screws of 17-4 H900 stainless steel securely engage the shaft or pump sleeve and lock the cartridge sleeve in place. Opportunity for galling the shaft or drive collar is greatly reduced in case the seal ever needs to be removed.

Enhanced dual seal barrier circulation promotes cool running

Dissipating seal-generated heat and circulating clean barrier fluid are essential ingredients for successful dual seal operation. ISC2 dual seals incorporate an optimized circulating feature including an advanced design volute groove to significantly increase barrier fluid flow.



ISC2 Dual Rotating Metal Bellows Seal

Materials of Construction

Metal Parts 316 Stainless Steel, Alloy C-276, Alloy 20, Titanium

Seal Faces Premium Resin Carbon vs. Sintered Silicon Carbide
Sintered Silicon Carbide vs. Sintered Silicon Carbide
Premium Resin Carbon vs. Tungsten Carbide
Tungsten Carbide vs. Sintered Silicon Carbide

Metal Bellows Alloy C-276

Elastomers Fluoroelastomer, Perfluoroelastomer, EPDM, TFE-Propylene

Springs Alloy C-276

Set Screws 17-4 H900 Stainless Steel

Operating Parameters

Pressure

Pusher seal 0 to 20.6 bar (300 psig)
Metal bellows seal 0 to 13.8 bar (200 psig)

Temperature

-40 to 204°C (-40 to 400°F)

Maximum Speed

3600 rpm or 23 m/s (75 fps)

Seal Chamber Specifications

ASME B-73, EN 12 756, JIS, ISO 3069, API 682

Shaft Size

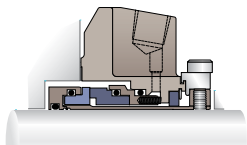
Pusher seal 25 to 200 mm (1.000" to 8.000")
Metal bellows seal 25 to 95 mm (1.000" to 3.750")



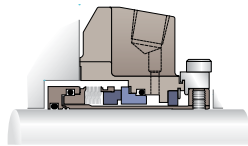
ISC2 Series seals: Innovative engineering, standard excellence, cartridge simplicity

ISC2 seals are available in four primary configurations

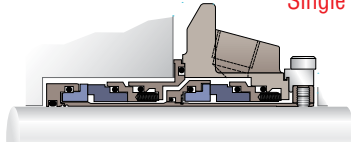
Designs for standard bore seal chambers are shown. Enlarged bore and other seal chamber sizes are available.



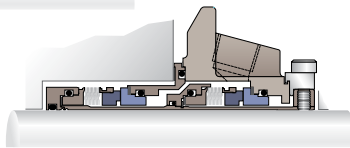
Single Pusher



Single Metal Bellows



Dual Pusher



Dual Metal Bellows

Pre-engineered ISC2 seals are available for most of your pumping equipment including...

ABS	Goulds/ITT	Ruhrpumpen
Ahlstrom	IDP	Scanpump
Allis-Chalmers	Johnston	Shin Nippon
Arai	KSB	Shinryo
Aurora	Kubota	SIHI
CPC	LaBour	Sulzer
Dean	Lawrence	Taiheiyo
Deming	Malhaty	Torishima
Durco	Masuda	Union
Ebara	Moyno	United
Flowserve	Netzsch	Viking
Floway	Nishigaki	Warren
Furukawa	Pacific	Weir
Fyroc	Peerless	Wilson-Snyder
Gorman-Rupp	Robuschi	Worthington

...custom solutions that solve unique equipment needs.

FSD243eng REV 4-12 Printed in Europe

To find your local Flowserve representative and find out more about Flowserve Corporation, visit www.flowserve.com

USA and Canada

Kalamazoo, Michigan USA
Telephone: 1 269 381 2650
Telefax: 1 269 382 8726

Europe, Middle East, Africa

Roosendaal, The Netherlands
Telephone: 31 165 581400
Telefax: 31 165 554590

Asia Pacific

Singapore
Telephone: 65 6544 6800
Telefax: 65 6214 0541

Latin America

Mexico City
Telephone: 52 55 5567 7170
Telefax: 52 55 5567 4224

Flowserve Corporation has established industry leadership in the design and manufacture of its products. When properly selected, this Flowserve product is designed to perform its intended function safely during its useful life. However, the purchaser or user of Flowserve products should be aware that Flowserve products might be used in numerous applications under a wide variety of industrial service conditions. Although Flowserve can provide general guidelines, it cannot provide specific data and warnings for all possible applications. The purchaser/user must therefore assume the ultimate responsibility for the proper sizing and selection, installation, operation, and maintenance of Flowserve products. The purchaser/user should read and understand the Installation Instructions included with the product, and train its employees and contractors in the safe use of Flowserve products in connection with the specific application.

While the information and specifications contained in this literature are believed to be accurate, they are supplied for informative purposes only and should not be considered certified or as a guarantee of satisfactory results by reliance thereon. Nothing contained herein is to be construed as a warranty or guarantee, express or implied, regarding any matter with respect to this product. Because Flowserve is continually improving and upgrading its product design, the specifications, dimensions and information contained herein are subject to change without notice. Should any question arise concerning these provisions, the purchaser/user should contact Flowserve Corporation at any one of its worldwide operations or offices.

© Flowserve Corporation (2012)